

The new writing instruments made of antibacterial plastic.

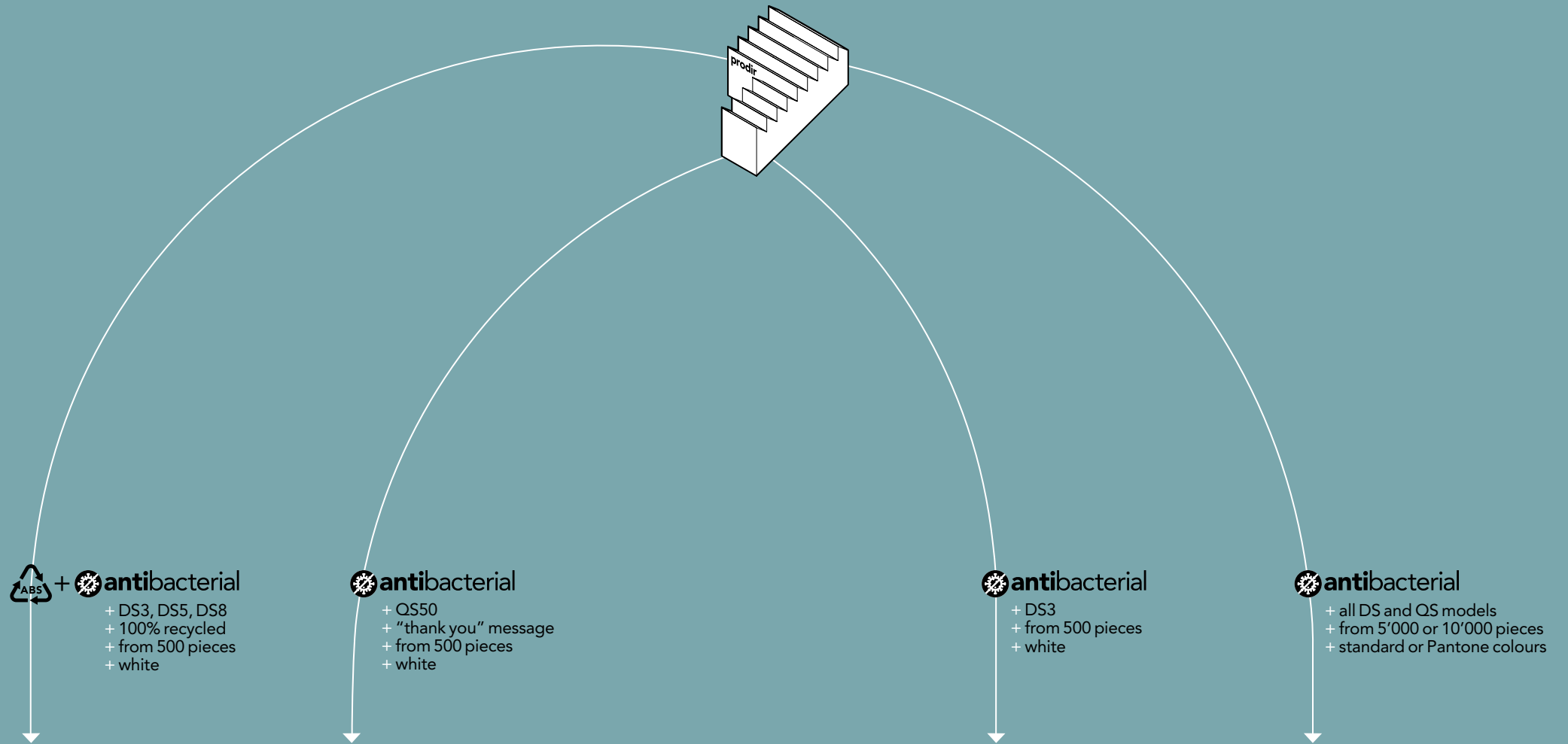
ISO 22196 certified,
hygienic and offering product protection for life.



Be trusted.

prodir®

Antibacterial, hygienic surfaces are nowadays particularly important. That is why we have developed a whole portfolio for you right away. With new models, exciting new combinations and many print possibilities:



The new DS Regeneration Pens: sustainably ecological and sustainably antibacterial.

The new QS50 says „thank you“ in five languages and you can feel it up to your fingertips.

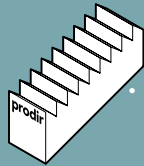
The DS3 special edition: the icon, simple and convincing, in polished or matt.

Your writing instrument, just as you like it, with an antibacterial surface.

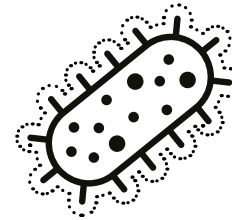
The plastic surfaces of our writing instruments are protected by Biomaster antimicrobial/antibacterial technology. Biomaster is the world's most trusted additive, tested and certified to ISO 22196 providing durable and effective surface protection 24/7 for the lifetime of the product.



How does Biomaster work?



1 Biomaster binds the cell walls disrupting growth.



How effective is Biomaster?

Very effective. Biomaster is proven to inhibit the growth of bacteria by up to 99.99%.

Is Biomaster safe?

Yes. It is based on silver ion technology, recognised for centuries with no harmful effects. Biomaster is used in medical, food and water applications.

Has Biomaster been tested?

Yes, repeatedly. Biomaster is tested to ISO standards and is subject to continuous quality control tests and environmental trials.

How long is Biomaster effective?

Biomaster is effective for the whole lifetime of the pen.

Does Biomaster affect a product in any way?

No. You can't see, smell or even taste Biomaster.

Is Biomaster effective against antibiotic-resistant bacteria?

Yes. Biomaster has been proven to be effective to antibiotic-resistant bacteria.

Does Biomaster use nano-silver technology?

No. No nano technology is used due to ongoing safety concerns.

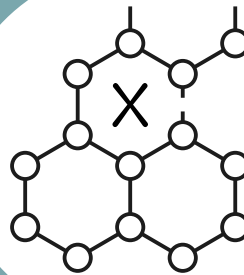
Why is Biomaster better than other silver-based antimicrobial additives?

Biomaster pioneered the use of antimicrobial additives and remains the recognised leader and most trusted supplier of antimicrobial technology for polymers, textiles, paper, paints and coatings.

Please note, that Biomaster is tested to ISO 22196 providing efficacy against a wide range of microbes including bacteria. Efficacy against ISO 21702 for viruses is ongoing.

More about Biomaster [here!](#)

3 Biomaster interrupts the cell's DNA preventing replication.



2 The Biomaster ions interfere with the enzymes production stopping the cell producing energy.



Effective and save.

New Antibacterial

DS3 DS5 DS8 Regeneration Pens

The unique combination of sustainability and hygiene with antibacterial body surface made of recycled plastic. Available in the standard version in fine white matt from 500 pieces.



Colours

Button (DS8)

Regenerated antibacterial



J02

Clip (DS8)

Regenerated antibacterial



J02

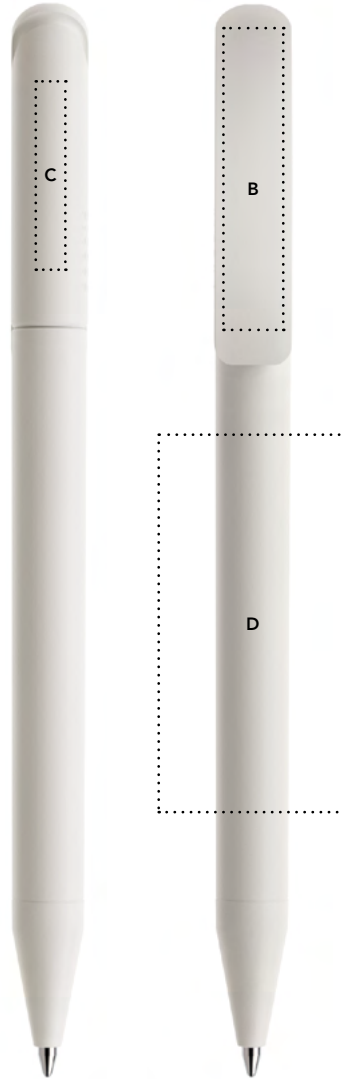
Cap and barrel

Regenerated antibacterial

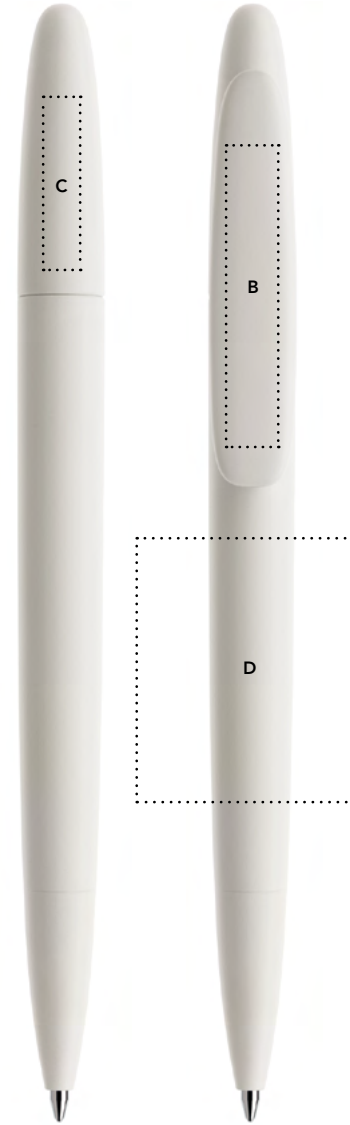


N02

DS3 Print areas




DS5 Print areas



DS8 Print areas



Minimum order quantity
500 pens

 For PMS with antibacterial protection starting from 5.000 pieces

	mm	Inch	Print
C Back cap	25 × 4	0,98 × 0,16	1 colour
B Clip	40 × 8	1,57 × 0,31	6 colours
D Body	50 × 25	1,97 × 0,98	4 colours

	mm	Inch	Print
C Back cap	23 × 5	0,90 × 0,20	1 colour
B Clip	40 × 7	1,57 × 0,28	6 colours
D Body	35 × 30	1,38 × 1,18	4 colours

	mm	Inch	Print
B Clip	36 × 7	1,41 × 0,28	6 colours
C Body	36 × 5	1,41 × 0,20	2 colours
C1 Side body	36 × 5	1,41 × 0,20	2 colours
C2 Side body	36 × 5	1,41 × 0,20	2 colours



DS5 TNN

Cap N02 Antibacterial
Body N02 Antibacterial
Nose cone N02 Antibacterial

DS3 TNN

Cap N02 Antibacterial
Body N02 Antibacterial
Nose cone N02 Antibacterial

DS5 TNN

Cap N02 Antibacterial
Body N02 Antibacterial
Nose cone N02 Antibacterial

DS8 PNN-J

Cap N02 Antibacterial
Barrel N02 Antibacterial
Clip J02 Antibacterial
Button J02 Antibacterial



DS8 PNN-J

Cap Matt PMS Antibacterial
Barrel Matt PMS Antibacterial
Clip Polished PMS Antibacterial
Clip Polished PMS Antibacterial

New Antibacterial

QS50 Thank You Pen

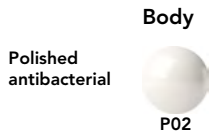
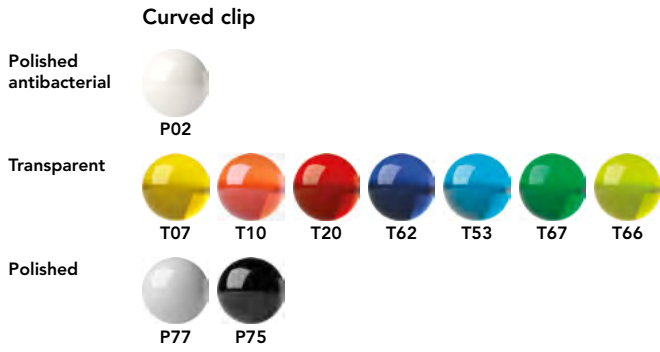
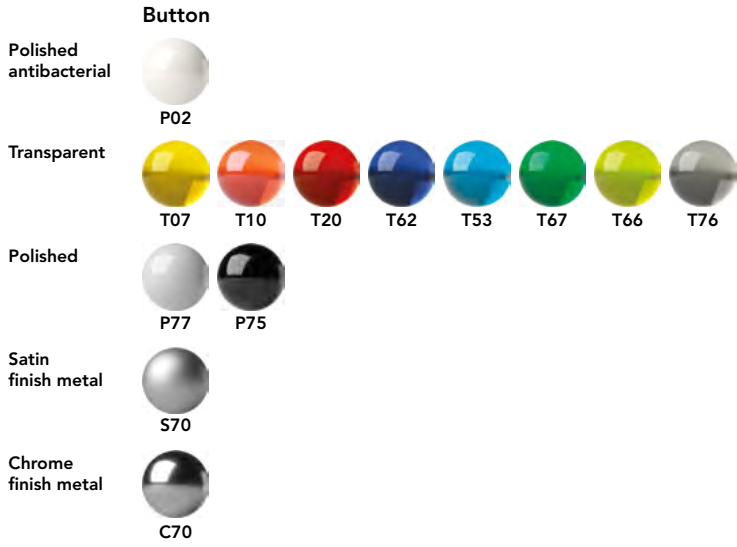
 antibacterial

In five languages, the word "thank you" is integrated in high and low relief in the three-dimensional, antibacterial surface. Available in the standard version completely in white already from 500 pieces.




Colours

QS50 Print area



Minimum order quantity
500 pens

 For PMS with antibacterial protection starting from 5.000 pieces



	mm	Inch	Print
A Clip	36 x 7	1,41 x 0,28	6 colours



QS50 PPP

Body P02 Antibacterial
Clip P02 Antibacterial
Button P02 Antibacterial

QS50 PPP

Body P02 Antibacterial
Clip P02 Antibacterial
Button S70

QS50 PPP

Body P02 Antibacterial
Clip T62
Button T62

QS50 PPP

Body P02 Antibacterial
Clip P75
Button P75



QS50 PPP

Body P02 Antibacterial
Clip Polished PMS Antibacterial
Button P02 Antibacterial

New Antibacterial DS3

The icon, simple, clear and timeless. Available in the antibacterial standard versions in matt or polished white already from 500 pieces.



Colours

Cap, body and nose cone

Matt
Antibacterial



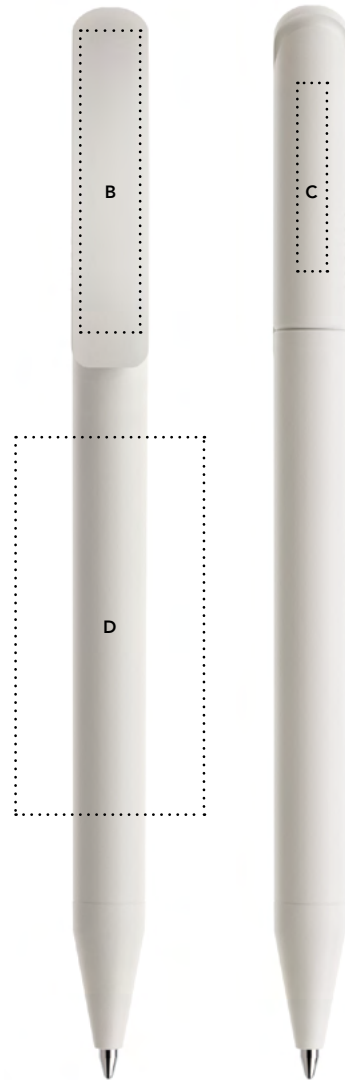
M02

Polished
Antibacterial



P02

DS3 Print areas



Minimum order quantity
500 pens



For PMS with antibacterial
protection starting from 5.000 pieces

	mm	Inch	Print
B Clip	40 × 8	1,57 × 0,31	6 colours
C Back cap	25 × 4	0,98 × 0,16	1 colour
D Body	50 × 25	1,97 × 0,98	4 colours



DS3 TMM

Cap M02 Antibacterial
Body M02 Antibacterial
Nose cone M02 Antibacterial

DS3 TMM

Cap M02 Antibacterial
Body M02 Antibacterial
Nose cone M02 Antibacterial

DS3 TPP

Cap P02 Antibacterial
Body P02 Antibacterial
Nose cone P02 Antibacterial

DS3 TPP

Cap P02 Antibacterial
Body P02 Antibacterial
Nose cone P02 Antibacterial



DS3 TPP

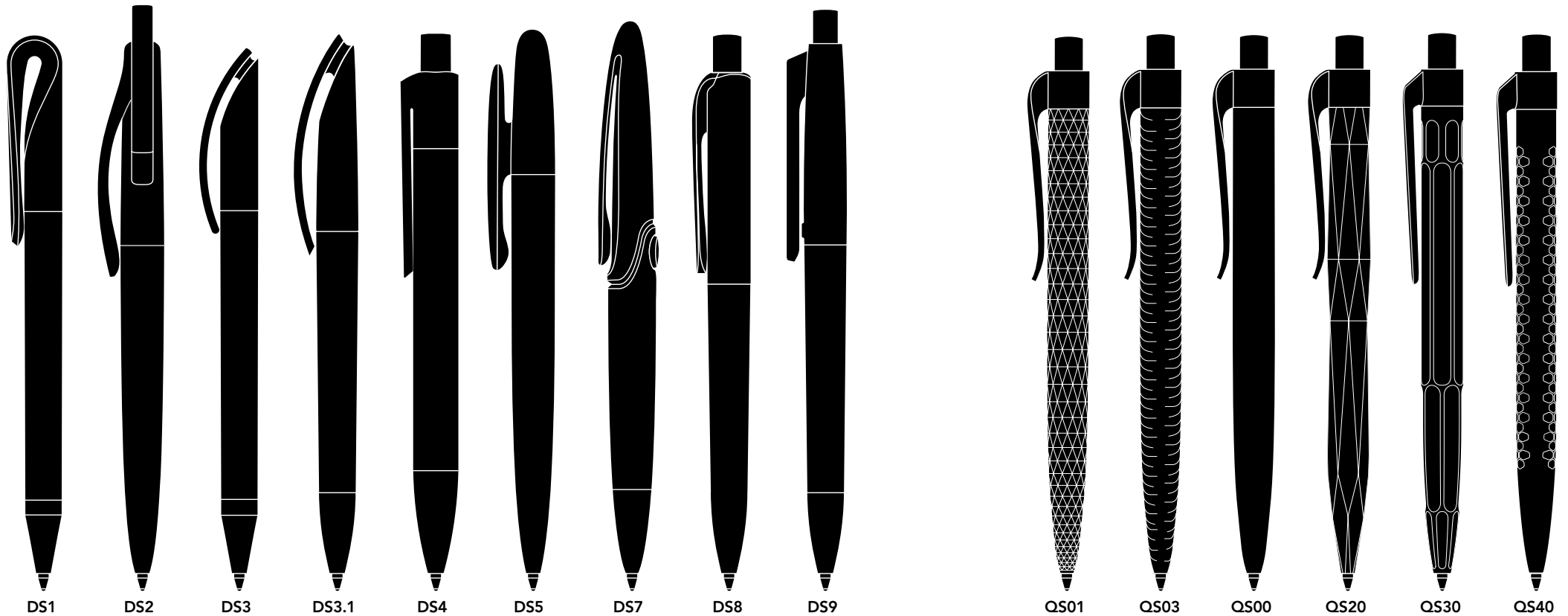
Cap Polished PMS Antibacterial
Body Polished PMS Antibacterial
Nose cone Polished PMS Antibacterial

New Antibacterial

All DS models

All QS models

All models are available with antibacterial finish in both standard and special colours from a minimum order quantity as the one of the special colours of each model.*



*More information in the "Good to know" section.



Good to know

.....

Writing instruments with antibacterial surface protection can be recognised by the imprint or the relief „antibacterial“ on the surface.

An exception is the model QS40 Air which has a single print area on the clip. In this case, to identify the pen as antibacterial, we recommend the use of packaging or a simple cardboard case.

.....

Cardboard cases for QS50 writing instruments can be individually personalised by hand with each single name up to 500 pieces. We would be pleased to make you an offer.

.....

Antibacterial surface protection is not available for DS3 Biotic and QS Stone models, for varnished nor Soft touch surfaces, for metal components such as clips, nose cones and buttons.

.....

All writing instruments are equipped ex works with high-quality, low-emission Floating Ball® 1.0 mm Lead Free refills. Other refills from the 2020 catalogue are optionally available.

.....

The casing of all our writing instruments is made from at least 30% recycled plastic.

For our Regeneration Pens the percentage is 100%.



Where we are

Headquarters

Pagani Pens SA
BU Pens - Prodir
Via Serta 22
CH-6814 Lamone
Switzerland

Tel +41-91-935 55 55
Fax +41-91-935 55 35
sales@paganipens.com

Prodir Germany

Prodir GmbH
An Der Molkerei 8
D-56288 Kastellaun
Germany

Tel +49-6762-4069-0
Fax +49-6762-4069-69
sales.de@paganipens.com

Prodir Austria

Prodir Austria GmbH
Prof. Dr. Stephan Koren Straße 10
AT-2700 Wiener Neustadt
Austria

Tel +43-2622-40301
Fax +43-2622-40301-15
austria@paganipens.at

Prodir Benelux

Prodir BV
Fokkerstraat 28
NL-3905 KV Veenendaal
Netherlands

Tel +31-318-50 17 11
Fax +31-318-51 48 44
sales.nl@paganipens.com

Prodir Scandinavia

Prodir Aps Scandinavia
Ambolten 8, 1.th.
DK-2970 Hørsholm
Denmark

Tel +45-48-24 57 40
Fax +45-48-24 57 90
sales@paganipens.dk

Prodir Great Britain

Prodir Ltd
5 South Fens Enterprise Park
Fenton Way
Chatteris, Cambridgeshire
PE16 6WA
UK

Tel +44-1354-776499
Fax +44-1354-776490
sales@paganipens.co.uk

Prodir France

Prodir France SAS
5 rue Charles de Gaulle
94140 Alfortville
France

Tel +33-1-79 35 74 30
sales@paganipens.fr

Prodir Spain

Prodir Iberia SA
C/Copenhagen, 12
Edificio Tifán Oficina 213
Polígono Industrial Európolis
ES - 28232 Las Rozas
Spain

Tel +34-91-523 38 56
Fax +34-91-522 14 26
sales@paganipens.es

Prodir Russia

Prodir SA
Representative Office
Smolenskaya square 3
Moscow – 121099
Russia

Tel +7-495-782-1915
nushin.loyko@paganipens.ru

*Be safe.
Be trusted.*