



UWS[®]

Crossover Truck Tool Boxes



UWS

Patented RigidCore™ foam-filled lid

- Truck beds have an inherent tendency to flex, directly affecting the tool box mounted in the truck bed.
- Our patented foam-filled lid design creates a solid structure to prevent warping and bending.
- The extra rigidity also ensures smooth opening and closing without binding, always latching securely.





NORANDEX PLUS

C&M

C&M

NORANDEX PLUS

NORANDEX PLUS

C&M

C&M

C&M

C&M

C&M

C&M

C&M

NORANDEX PLUS

NORANDEX PLUS

NORANDEX PLUS

NORANDEX PLUS

NORANDEX PLUS

C&M

NORANDEX PLUS

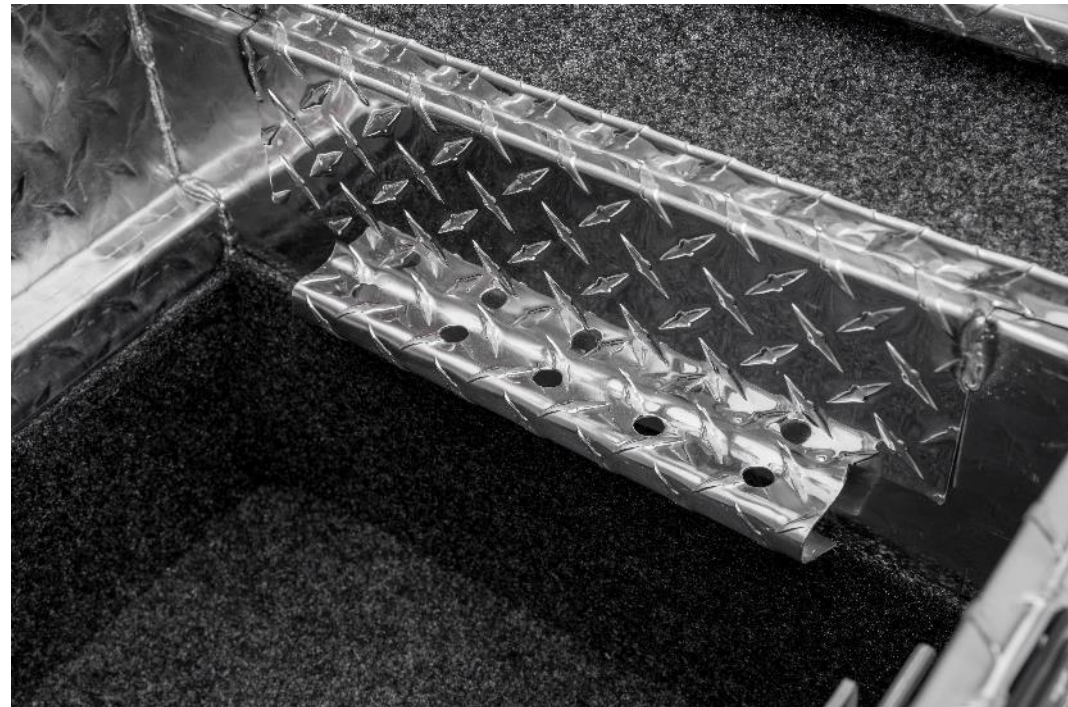
NORANDEX PLUS

NORANDEX PLUS

Extra-thick aluminum construction

- While most competitor tool boxes are constructed with 0.045" to 0.050" aluminum, UWS uses 0.058".
- This increases strength and rigidity.
- UWS tool boxes are also made with welded, one-piece tubs for added strength and water-resistance.

- 0.045" 
- 0.058" 



Connecting lock rod & enclosure

- Most UWS tool boxes are equipped with a connecting rod between the two locking handles.
- This rod passes through multiple points for maximum pry resistance.
- It also has an interior rod enclosure to help prevent bending or jamming of the lock system.



Multiple box sizes available

- While many competitors offer a one-size-fits-most solution, UWS tool boxes are available in several different sizes and with a variety of features.
- Most boxes can also be purchased with various design options, including a deep tub, angled tub, low profile, with a top rail and more.
- This provides a more application-specific fit for each unique truck bed.



Patented RigidCore™ foam-filled lid

MicroSeal™ weatherstripping

3-compartment, sliding tray

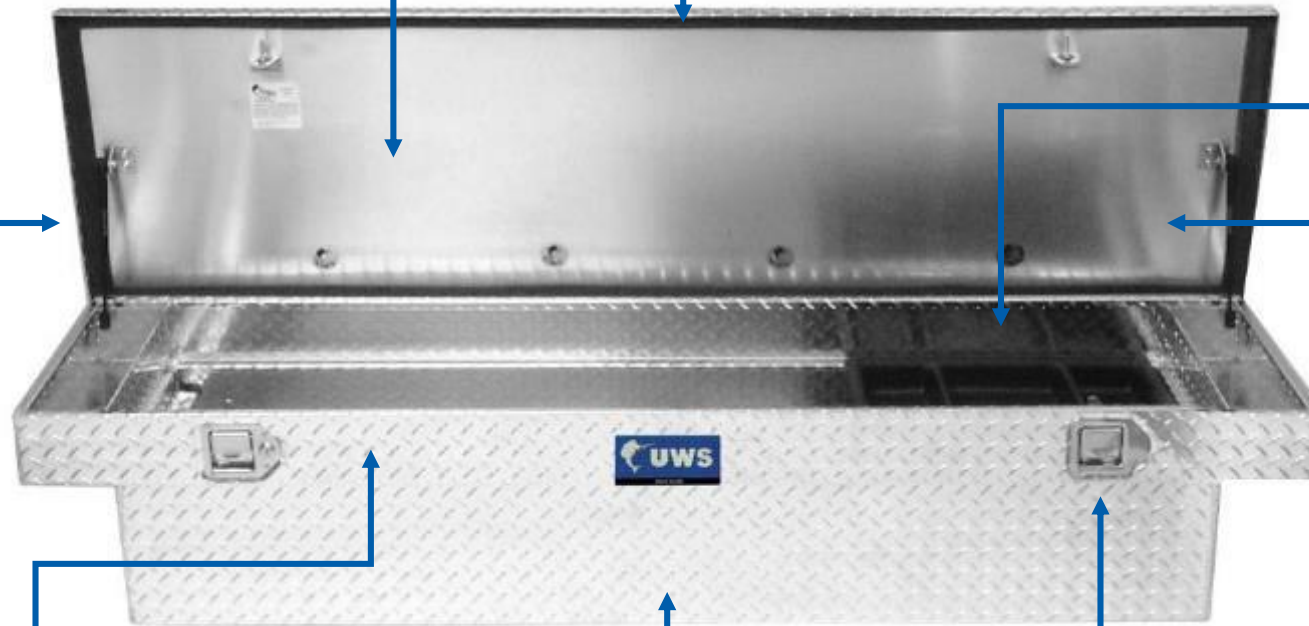
Dual lift struts

Lid opens to nearly 90°

Enclosed connecting rod

One-piece, fully welded tub

Easy-to-reach, wide-spaced handles





Additional Features

- Tool trays and built-in screwdriver holders for easy organization
- Three-compartment sliding tray for convenient small item storage



Secure Lock Crossover Truck Tool Boxes

- Easy-to-operate, dual-locking twist handles offer strength and maximum security
- Box can be locked on the driver side, passenger side or both
- Removable BedRug™ liner protects tools, reduces noise and allows for easy cleaning



Handle Options



Secure Lock

Replacement keys: CH501 to CH510
(Must replace entire handle if cylinder is bad)



T-handle

Replacement keys: CH501- CH510
Replacement cylinder: 003-001-THLC to 003-010THLC



Pull handle

Replacement keys: 003-HDL-KEY-001 to 003-HDL-KEY-010
Replacement cylinder: 003-001LC to 003-010LC



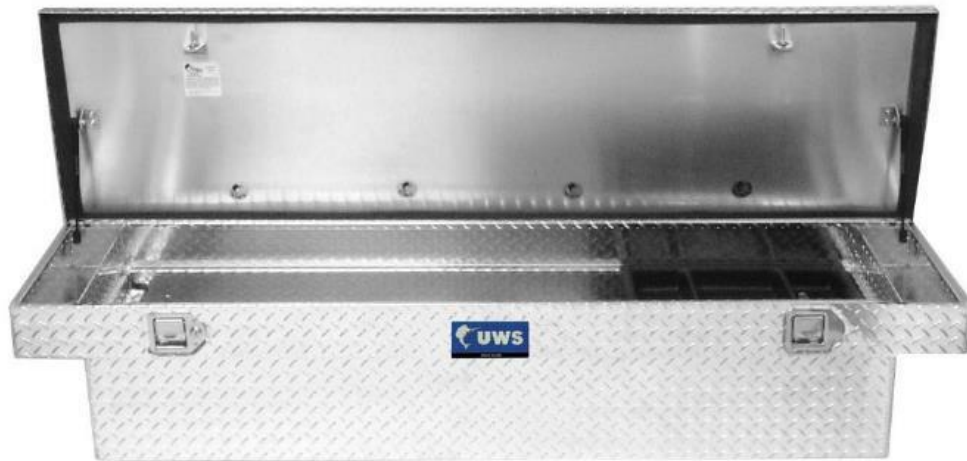
Locking paddle

Replacement keys: CH501 to CH510
Replacement cylinder: 003-CH501 to 003-510CYLNDR



Non-locking paddle

Lid Options



Single lid

- Standard crossover box option, featuring one lid with two handles



Gull wing lids

- Two single lids for convenient, more secure half-box access



Profile Options



Standard profile

- Standard height: the portion of the box being measured above the truck bed wall



Low profile

- Built lower on the bed wall for a better view out the rear window

Rail Options



With rail

- Provides a reliable anchor for tying down cargo on top



Without rail

- Standard lid option without rail

Tub Options



Deep tub

- Built with a deeper tub to provide maximum storage space



Angled tub

- Accommodates unique bed sizes and wheel well shapes



Tub Options



Extra-wide

- Uses the maximum width of the truck bed for more storage area



Slim-line

- Designed for truck beds with extremely limited space in front of wheel well



Multiple Combinations Available

- Most UWS crossover tool boxes are available in various combinations of these features, such as the 69" Deep Angled Secure Lock Crossover Truck Tool Box with Low Profile & Rail.





CROSSOVER BOXES



Replacement Parts



Striker bracket & pin



Top cylinder bracket

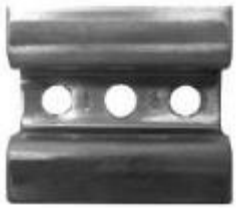


Lift cylinder



Handles

Replacement Parts



Bottom cylinder bracket



Ball stud



Rail stanchion



Rod connector



Fuel cap



J-bolt kit



Lock cylinders



L-bracket



CROSSOVER BOXES



Limited Lifetime Warranty

- UWS provides limited lifetime warranty coverage against defects in factory workmanship and materials for UWS products sold by authorized UWS dealers for use by retail (end use) consumers.
- https://storage.googleapis.com/uws/docs/UWS_Warranty.pdf

Product	Workmanship & Materials	Components & Parts	Finishings & Coatings
All storage boxes	Limited lifetime	One-year	One-year
Other accessories	Lifetime	One-year	One-year



LIMITED LIFETIME WARRANTY

UWS ("UWS") provides limited lifetime warranty coverage against defects in factory workmanship and materials for UWS® products ("Products") sold by authorized UWS dealers for use by retail (end use) consumers. This Limited Warranty is provided only to the original Product consumer, and applies only to the original installation. This Limited Warranty is not transferable and does not extend or apply to anyone else. For consumers in the U.S.: this Limited Warranty gives you specific legal rights; you also may have other rights, which vary from state to state.

This Limited Warranty is the sole and exclusive warranty provided by UWS, and all other warranties and conditions are excluded and disclaimed. **UNDER THE LAW OF CERTAIN STATES, THERE MAY BE NO IMPLIED CONDITIONS OR WARRANTIES FROM UWS APPLICABLE TO YOUR PRODUCT, AND ALL IMPLIED CONDITIONS OR WARRANTIES (INCLUDING ANY WARRANTY OF MERCHANTABILITY OR FITNESS FOR A PARTICULAR PURPOSE) ARE EXCLUDED AND DISCLAIMED WHERE ALLOWED BY LAW.** If implied warranties are imposed under any applicable state law, all such implied warranties are limited to the duration of the applicable provisions of this Limited Warranty. Some states do not allow limitations on how long an implied warranty lasts, so the above limitation may not apply to you.

COVERED PRODUCTS AND LIMITATIONS

UWS provides the following Limited Warranty coverage:

Product	Workmanship & Materials	Components & Parts	Finishings & Coatings
All storage boxes	Limited lifetime	One-year	One-year
Other accessories	Lifetime	One-year	One-year

Each of the warranty coverage periods runs from the date of purchase of the Product (proof of purchase is required) and applies only to warranted defects that first occur and are reported to UWS within the applicable warranty period. UWS retains the right to determine to its reasonable satisfaction whether any claimed defect is covered by this Limited Warranty.

Certain items are excluded from Limited Warranty coverage by UWS, and this **Limited Warranty coverage does not apply to:**

- Wear and tear from normal use, including damage from road debris
- Improper product selection, application, installation or maintenance
- Modifications, including the attachment of other hardware or components

- Misuse, abuse, overloading, improper trailing or hauling, accident
- Corrosion or damage due to environmental conditions

REMEDIES UNDER THIS LIMITED WARRANTY

If a defect covered by this warranty occurs, UWS will repair or replace the Product, or refund the purchase price, in its sole discretion. This "repair, replacement or refund" remedy is the **sole and exclusive remedy** under this Limited Warranty. UWS has **no responsibility or liability for any incidental or consequential damages**, such as loss of use of vehicles or trailers, towing charges, storage charges, labor and service charges for removing or reinstalling Products, loss of or damage to personal property, or interest or finance charges, all of which are specifically **excluded and disclaimed** from this Limited Warranty. Some states do not allow the exclusion or limitation of incidental or consequential damages, so the above limitation or exclusion may not apply to you.

RESPONSIBILITY OF PURCHASER

The Purchaser must have proof of purchase to obtain service under this Limited Warranty. Contact UWS for a Returned Goods Authorization (RGA) and return instructions; UWS will not accept Products unless an RGA has been issued. The Purchaser must deliver the Product to UWS or an authorized UWS dealer along with the RGA number and proof of purchase.

The UWS Limited Warranty policy in effect on the date you purchased your Product determines the applicable warranty coverage, and subsequent or prior UWS warranties are not applicable to your Product. The terms of this Limited Warranty cannot be changed or modified, except by a written agreement signed by an officer of UWS. UWS reserves the right to improve its products through changes in design or materials without being obligated to the owners of the Products of the same or similar models.

Contact information:
UWS Headquarters
 6208 Industrial Drive
 Eau Claire, WI 54701
 833.387.7720

