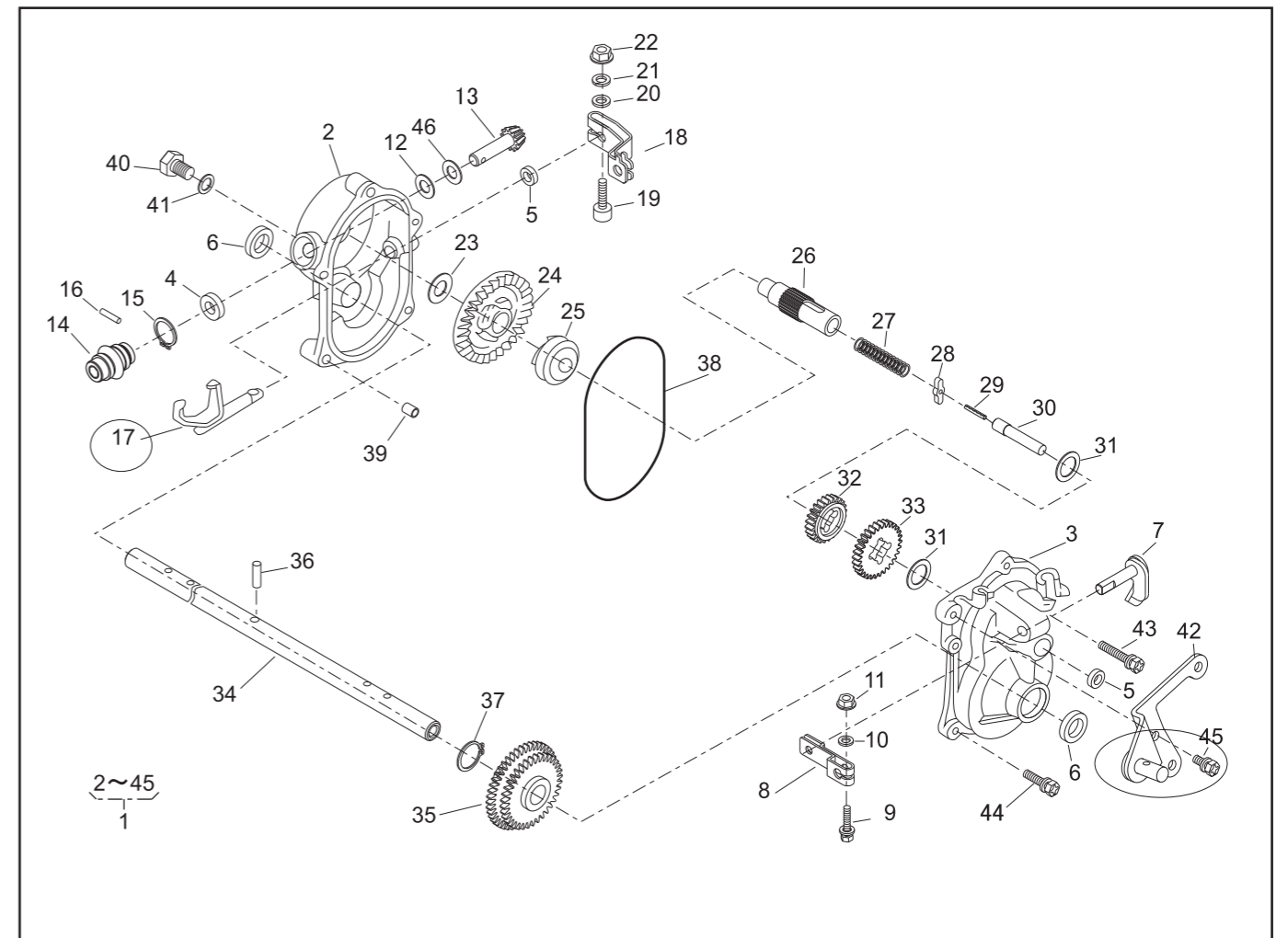


PARTS LIST
GEAR CASE ASSY (71008-377)

46014-264-02

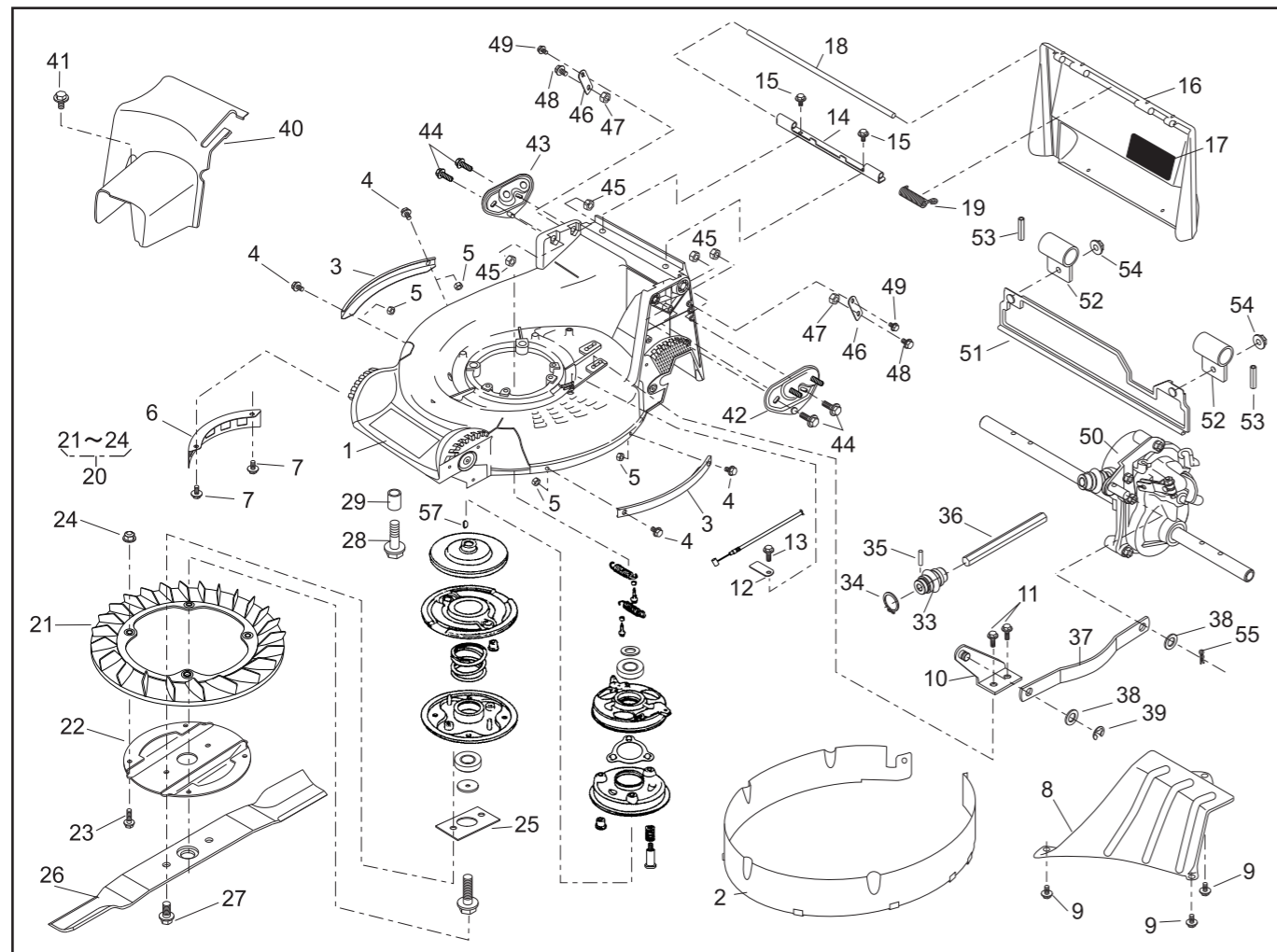
NOTE	REF. No.	PARTS No.	PARTS NAME	GEAR CASE		1/2	Feb.07,2005	REMARKS
				Q'TY INCLUDING	PRICE()	RECOMM.(%) Lot.100		
	1	71008 377	GEAR CASE ASSY	1				
	2	51001 195	GEAR CASE	1				
	3	51001 196	GEAR CASE	1				
	4	61002 161	OIL SEAL	1				
	5	61002 162	OIL SEAL	2				
	6	61002 163	OIL SEAL	2				
F	7	64024 104	SHIFTER SHAFT	1				
	8	11104 119	ARM	1				
F	9	320L 0525	(+)HEXAGON BOLT(W/PW)	1				
	10	611L 0500	PLAIN WASHER	1				
	11	571L 0500	FLANGE NUT	1				
	12	61003 109	THRUST PLATE	1				
	13	78003 130	PINION	1				
	14	91097 101	UNIVERSAL JOINT	1				
F	15	812V 2000	C-SNAP RING	1				
	16	717B 0418	PARALLEL PIN	1				
E	17	11097 106	SHIFTER FORK	1				
	18	11104 137	ARM	1				
	19	419U 0630	SOCKET SCREW	1				
	20	611L 0600	PLAIN WASHER	1				
	21	661L 0600	SPRING LOCK WASHER	1				
	22	512L 0600	HEXAGON NUT	1				
	23	61024 117	SPACER	1				
	24	78001 162	BEVEL GEAR	1				
	25	11129 107	CLUTCH	1				
	26	64014 236	SHAFT	1				
	27	68013 262	SPRING	1				



PARTS LIST
GEAR CASE ASSY (71008-377)

46014-264-02

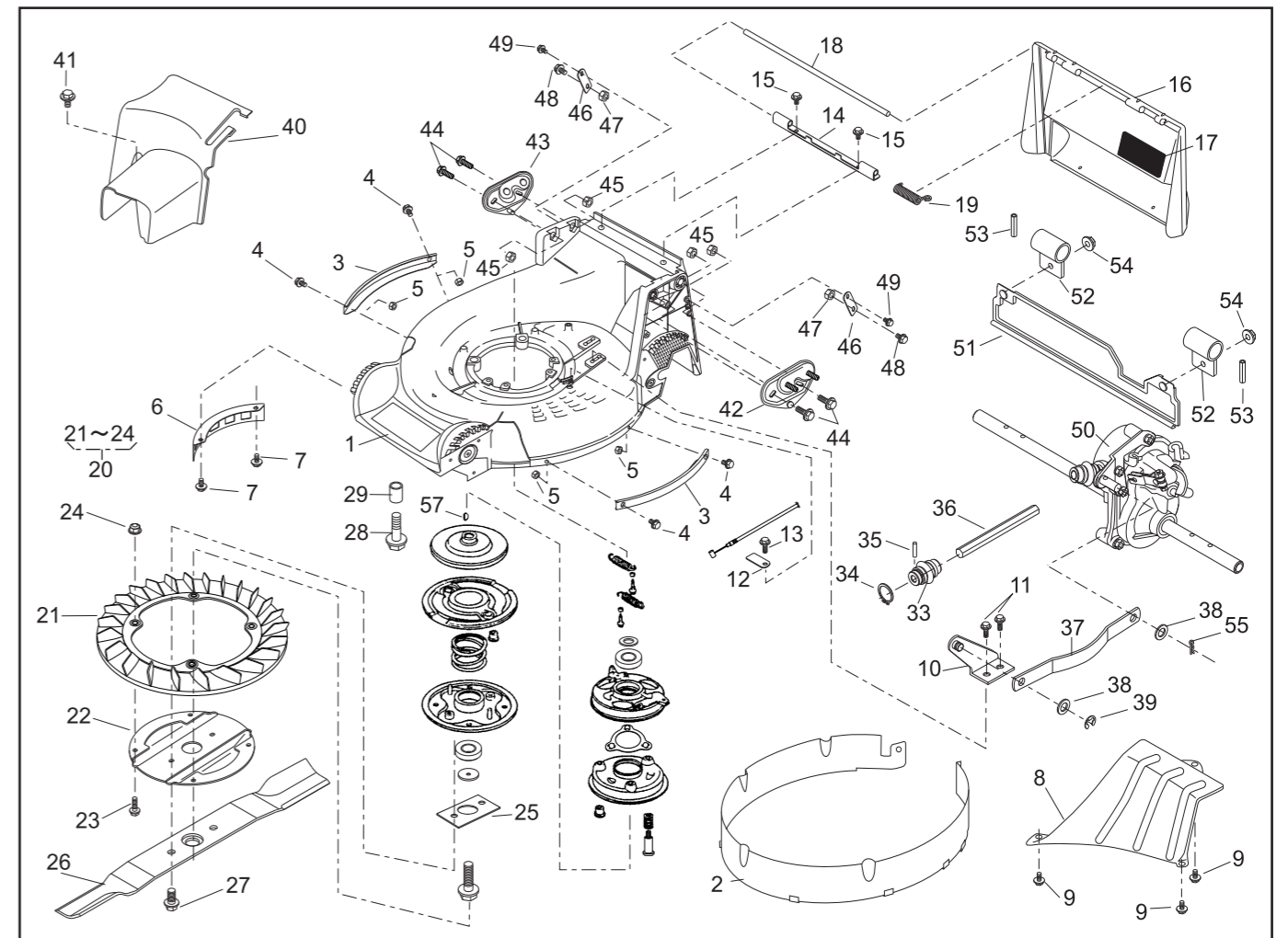
NOTE	REF. No.	PARTS No.	PARTS NAME	GEAR CASE		2/2	Feb.07,2005	REMARKS
				Q'TY INCLUDING	PRICE()	RECOMM.(%) Lot.100		
	28	31034 171	PIN	1				
	29	736U 0320	SPRING PIN	1				
	30	64014 235	SHAFT	1				
	31	61024 118	SPACER	2				
	32	78004 156	GEAR	1				
	33	78004 155	GEAR	1				
	34	64014 344	SHAFT	1				
	35	78012 107	GEAR C.P.	1				
	36	31034 150	PIN	1				
F	37	812V 2200	C-SNAP RING	1				
	38	214B 11000	O-RING	1				
	39	11083 201	COLLAR	2				
	40	31057 262	HEXAGON BOLT	1				
	41	68001 110	FIBER WASHER	1				
Z	42	11006 157	STAY C.P.	1				
	43	315L 0625	(+)HEXAGON BOLT(SW,PW)	3				
	44	315L 0635	(+)HEXAGON BOLT(SW,PW)	2				
	45	318L 0612	(+)HEXAGON BOLT(SW)	1				
	46	68007 132	SHIM	0~2				



PARTS LIST
Serial No. 3000001~

46014-236-03

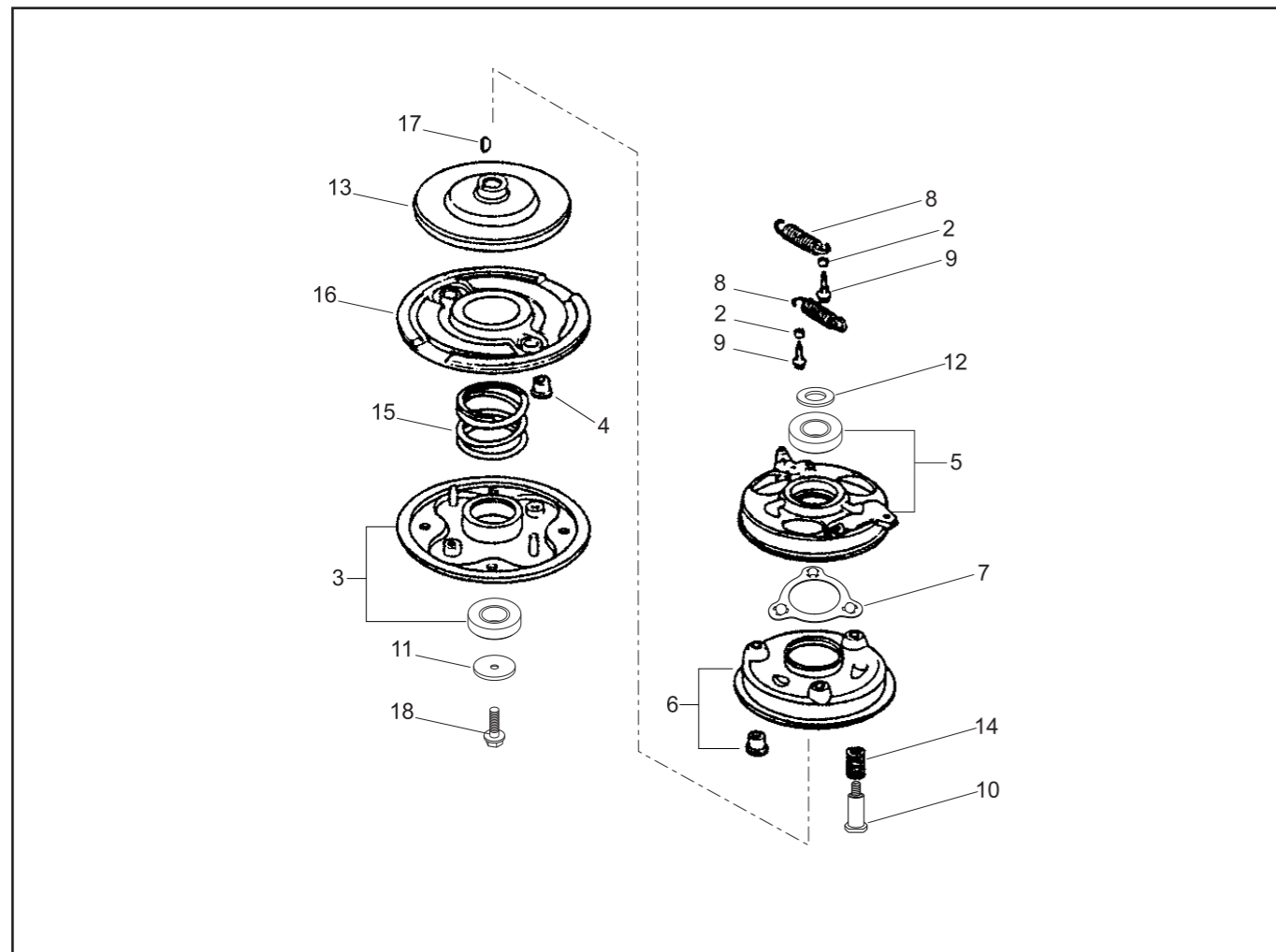
REF. No.	PARTS No.	PARTS NAME	GARSS-CUTTING-Pro		1/2	Feb.07,2005	REMARKS
			Q'TY INCLUDING	PRICE()			
1	51043 147 42	HOUSING	1				
2	36068 197	GUARD	1				
3	51090 117 09	PROTECTOR	2				
4	335L 0616	FLANGE BOLT	4				
5	512L 0600	HEXAGON NUT	4				
6	36065 180	COVER	1				
7	342L 0612	FLANGE BOLT TAPPING	2				
8	36065 436	COVER	1				
9	342L 0612	FLANGE BOLT TAPPING	3				
10	11006 155	STAY C.P.	1				
11	342L 0612	FLANGE BOLT TAPPING	2				
12	11113 407	STAY	1				
13	342L 0612	FLANGE BOLT TAPPING	1				
14	11113 292	STAY	1				
15	342L 0612	FLANGE BOLT TAPPING	2				
16	36068 196 46	GUARD	1				
17	36080 149	RUBBER SHEET	1				
18	64014 324	SHAFT	1				
19	68013 336	SPRING	1				
20	71082 111	FAN ASSY	1				
21	51125 103	FAN	1				
22	11102 151	HOLDER	1				
23	31062 169	PRE-COAT LOCK BOLT	4				
24	579L 0600	FLANGE NUT	4				
25	61024 208	SPACER	1				
26	91014 159	BLADE	1				
27	31057 197	HEXAGON BOLT	2				
28	31057 243	HEXAGON BOLT	4				
29	61024 142	SPACER	3				



PARTS LIST
Serial No. 3000001~

46014-236-03

REF. No.	PARTS No.	PARTS NAME	GARSS-CUTTING-Pro		2/2	Feb.07,2005	REMARKS
			Q'TY INCLUDING	PRICE()			
30	71067 106	BRAKE ASSY	1				
31							
32							
33	91097 101	UNIVERSAL JOINT	1				
34	812V 2000	C-SNAP RING FOR SHAFT	1				
35	717B 0418	PARALLEL PIN	1				
36	64014 339	SHAFT	1				
37	91049 129	CONNECTOR	1				
38	68036 280	WASHER	2				
39	816V 0800	E-SNAP RING	1				
40	36065 438	COVER	1				
41	342L 0616	FLANGE BOLT TAPPING	1				
42	51116 149	HANDLE BRACKET(L)	1				
43	51116 150	HANDLE BRACKET(R)	1				
44	31057 255	HEXAGON BOLT	4				
45	512L 0800	HEXAGON NUT	4				
46	11113 408	STAY	2				
47	512L 0800	HEXAGON NUT	2				
48	31057 181	HEXAGON BOLT	2				
49	342L 0612	FLANGE BOLT TAPPING	2				
50	71008 377	GEAR CASE ASSY	1				
51	36046 150	SAFETY GUARD	1				
52	11012 126	HANGER BAND	2				
53	711V 0522	SPRING PIN	2				
54	569L 0600	FLANGE NYLON NUT	2				
55	733L 1000	SNAP PIN	1				
56	122039	ENGINE:HONDA GXV160H2-SFL1-R280	1				
57		WOOD RUFF KEY	1				
58							

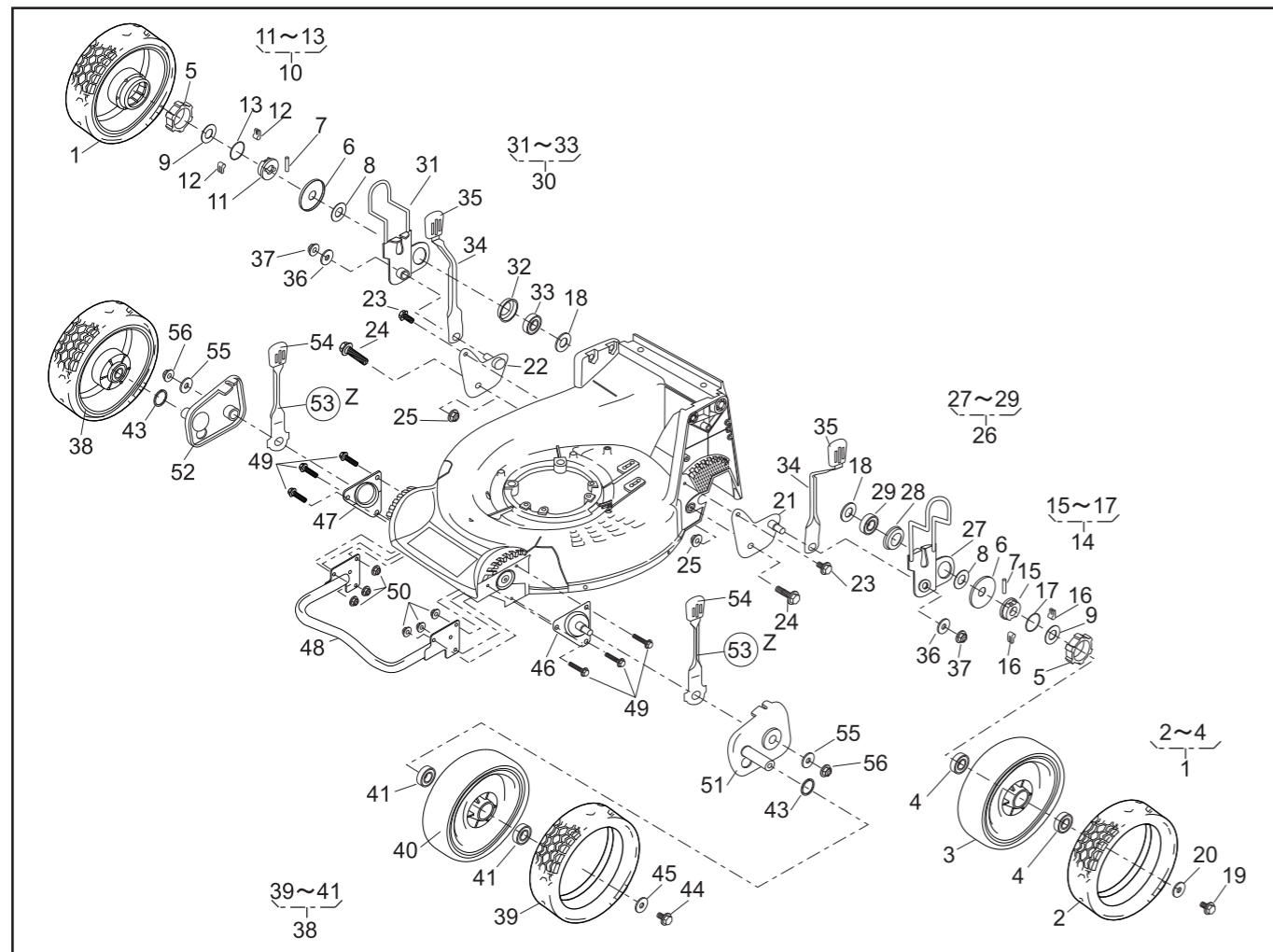


PARTS LIST

BRAKE ASSY (71067-106)

46014-266-02

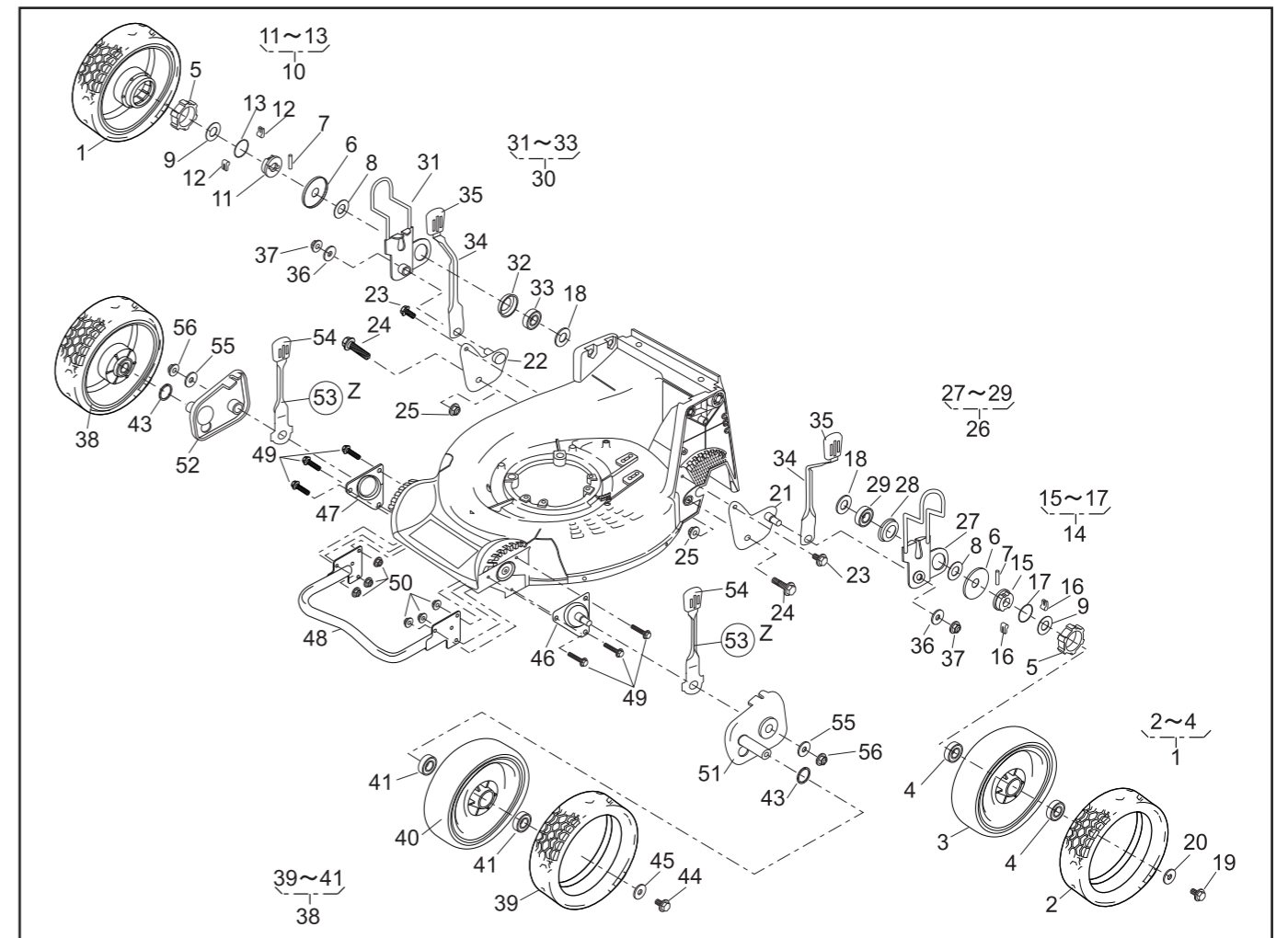
REF. No.	PARTS No.	PARTS NAME	BBC		1/1	Feb.09,2005
			Q'TY INCLUDING	PRICE()	RECOMM.(%) Lot.100	REMARKS
1	71067 106	BRAKE ASS'Y	1			
2	19512 883 000	FAN COLLAR	2			
3	72600 VA4 010	HOLDER ASS'Y	1			
4	72613 VA4 000	BUSH, BLADE HOLDER	2			
5	75090 VA4 030	CONTROL ASS'Y	1			
6	75100 VA4 010	BRAKE C.P.	1			
7	75110 VA4 000	BALL RETAINER C.P.	1			
8	75182 VA3 J00	SPRING, CLUTCH RETURN	2			
9	90014 952 000	FLANGE BOLT	2			6 x 14
10	90021 VA4 000	BOLT, SPECIAL	3			6 mm
11	90409 952 000	WASHER	1			10 mm
12	90501 952 010	THRUST WASHER	1			
13	75130 VA4 000	BRAKE DISK	1			
14	75132 VA4 000	SPRING, BRAKE HOLDER	3			
15	75183 VA3 J00	SPRING, CLUTCH	1			
16	75150 VA3 J01	DRIVEN DISK C.P.	1			
17	94401 16150	WOODRUFF KEY	1			
18	90105 960 003	BOLT (10x25)	1			
19						
20						
21						
22						
23						
24						
25						
26						
27						
28						



PARTS LIST

46014-225-01

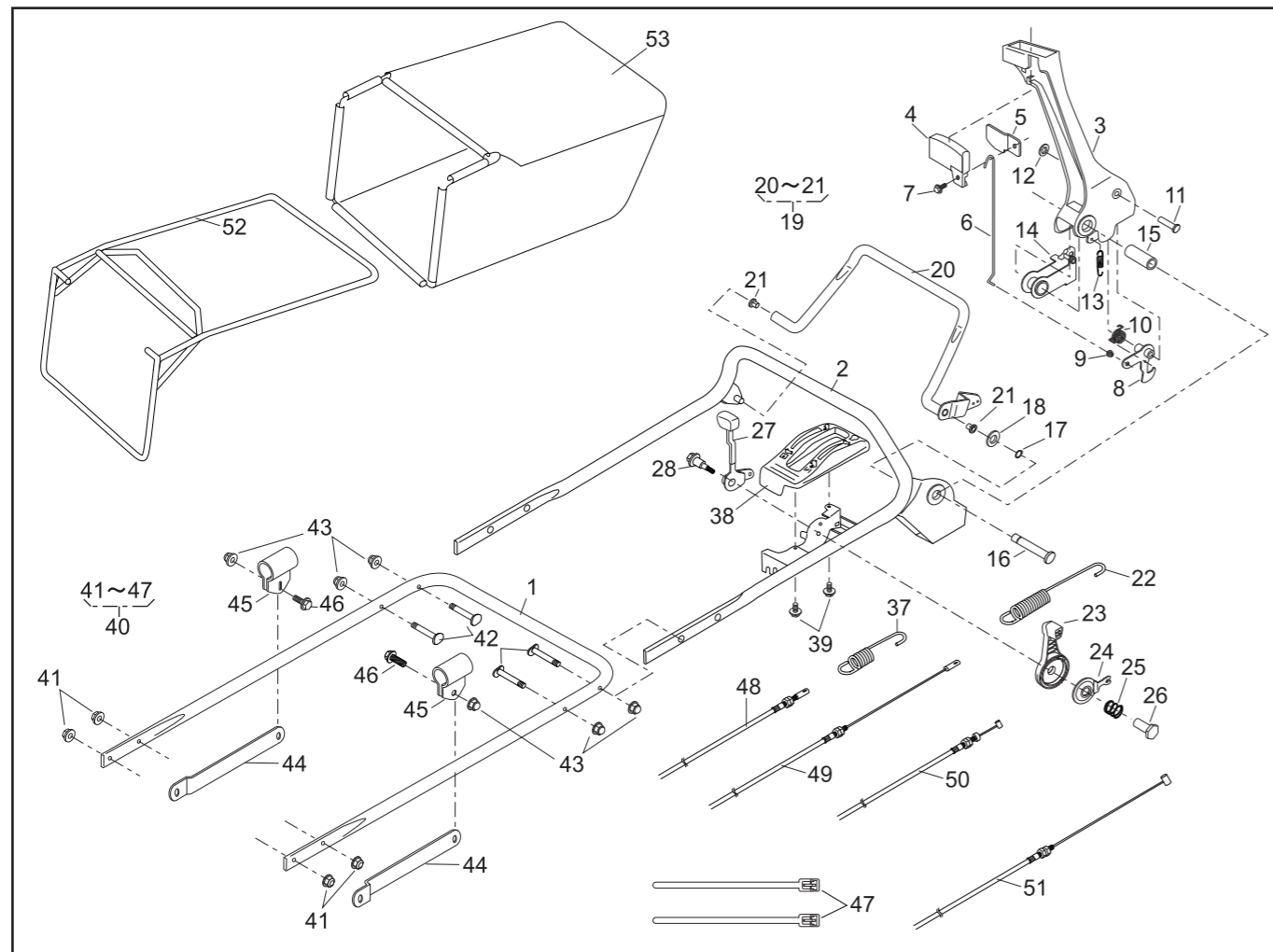
REF. No.	PARTS No.	PARTS NAME	9.6"AI-WHEEL		1/2	Feb.07,2005	REMARKS
			Q'TY INCLUDING	PRICE()			
1	71041 144	WHEEL ASSY(9.6"A.W.)	2				
2	91086 116	TIRE	2				
3		WHEEL	2				
4	916B 6002	BEARING	4				
5	11086 119	STOPPER	2				
6	61003 112	THRUST PLATE	2				
7	31034 137	PIN	2				
8	68036 270	WASHER	2				
9	68036 146	WASHER	2				
10	71158 101	RATCHET ASSY(R)	1				
11	11102 138	HOLDER	1				
12	31034 170	PIN	2				
13	68013 266	SPRING	1				
14	71158 102	RATCHET ASSY(L)	1				
15	11102 138	HOLDER	1				
16	31034 170	PIN	2				
17	68013 266	SPRING	1				
18	68036 275	WASHER	2				
19	31057 181	HEXAGON BOLT	2				
20	68036 101	WASHER	2				
21	11006 151	STAY C.P.(RL)	1				
22	11006 152	STAY C.P.(RR)	1				
23	342L 0612	FLANGE BOLT TAPPING	2				
24	31057 255	HEXAGON BOLT	2				
25	569L 0800	FLANGE NYLON NUT	2				
26	71122 110	ADJUSTER ASSY(L)	1				
27	11142 125	ADJUSTER(RL)	1				
28	11102 228	HOLDER	1				



PARTS LIST

46014-225-01

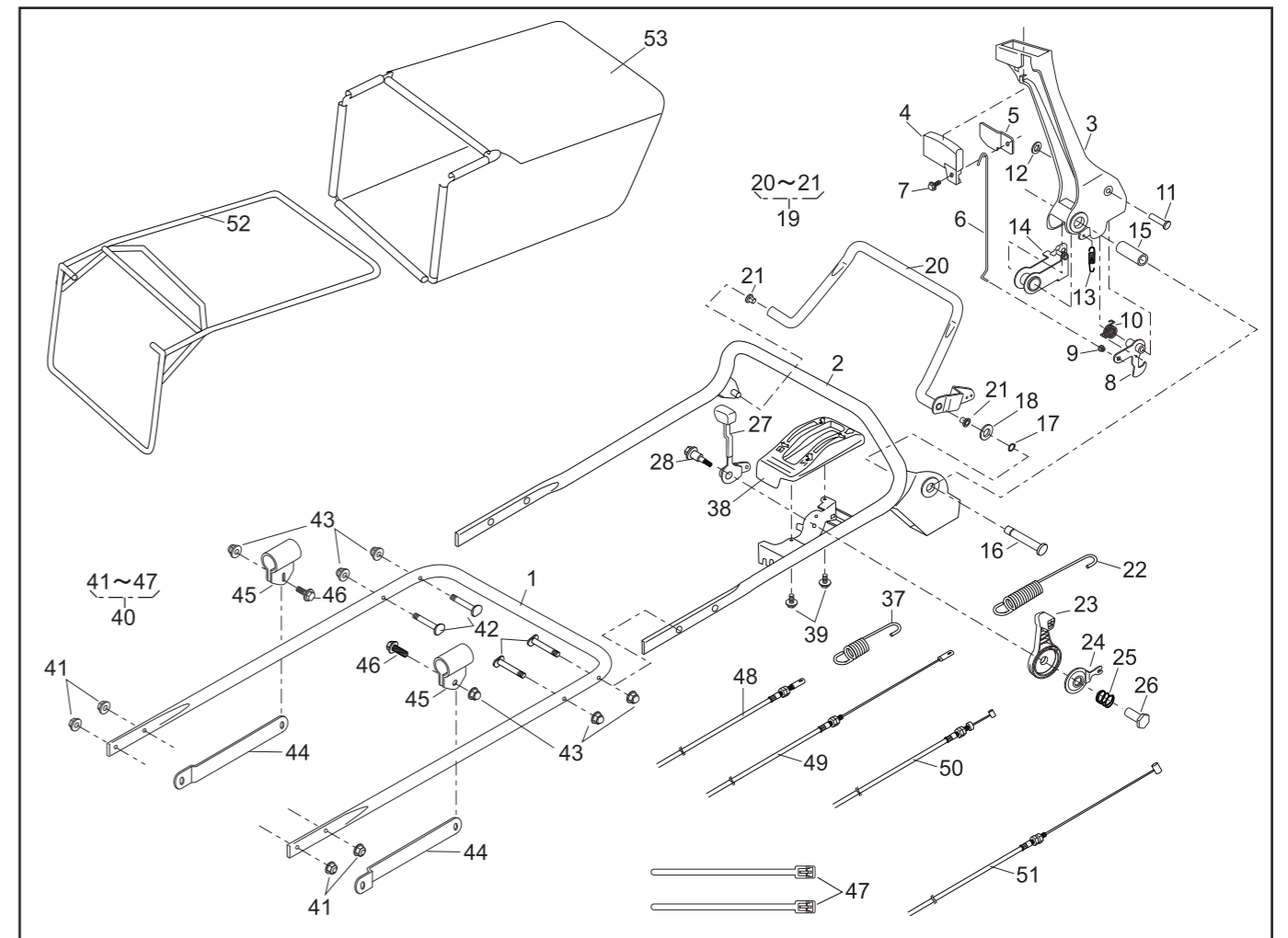
REF. No.	PARTS No.	PARTS NAME	9.6"AI-WHEEL		2/2	Feb.07,2005	REMARKS
			Q'TY INCLUDING	PRICE()			
29	916B 6202	BEARING	1				
30	71122 111	ADJUSTER ASSY(R)	1				
31	11142 126	ADJUSTER(RR)	1				
32	11102 228	HOLDER	1				
33	916B 6202	BEARING	1				
34	11150 105 09	ADJUST LEVER	2				
35	36061 121	KNOB	2				
36	613L 0800	WASHER	2				
37	569L 0800	FLANGE NYLON NUT	2				
38	71041 145	WHEEL ASSY(9.6"A.W.)	2				
39	91086 116	TIRE	2				
40		WHEEL	2				
41	916B 6002	BEARING	4				
42							
43	51113 119	RING	2				
44	31057 181	HEXAGON BOLT	2				
45	68036 101	WASHER	2				
46	11006 153	STAY C.P.(FL)	1				
47	11006 154	STAY C.P.(FR)	1				
48	11153 112	BUMPER	1				
49	335L 0625	FLANGE BOLT	6				
50	569L 0600	FLANGE NYLON NUT	6				
51	11142 127	ADJUSTER(FL)	1				
52	11142 128	ADJUSTER(FR)	1				
A/Z	53	11150 109 09	ADJUST LEVER	2			
	54	36061 121	KNOB	2			
	55	613L 0800	WASHER	2			
	56	569L 0800	FLANGE NYLON NUT	2			



PARTS LIST

46014-253-02

REF. No.	PARTS No.	PARTS NAME	HANDLE-Pro		1/2	Feb.08,2006	REMARKS
			Q'TY INCLUDING	PRICE()			
1	51027 249	HANDLE	1				
2	51027 250	HANDLE	1				
3	11095 172	LEVER(BBC)	1				
4	36110 102	BUTTON	1				
5	11049 109	SLIDE PLATE	1				
6	64014 336	SHAFT	1				
7	335N 0612	FLANGE BOLT	1				
8	71203 135	ARM C.P.	1				
9	76007 183	BUSH	1				
10	68013 371	SPRING	1				
11	31056 127	GIB-HEADED PIN	1				
12	576V 0600	PUSH NUT	1				
13	68013 372	SPRING	1				
14	11109 111	LINK	1				
15	61023 190	SLEEVE	1				
16	64014 337	SHAFT	1				
17	812V 0800	C-SNAP RING	1				
18	613L 0800	PLAIN WASHER	1				
19	71161 114 09	LEVER ASS'Y	1				
20		LEVER	1				
21	76007 131	BUSH	2				
22	68013 391	SPRING	1				
23	91010 169	THROTTLE LEVER(GXV120/GXV160)	1				
24	61003 113	THRUST PLATE	1				
25	68013 356	SPRING	1				
26	31058 168	HEXAGON NUT	1				
27	11095 117	LEVER	1				
28	31062 109	PRE-COAT LOCK BOLT	1				



PARTS LIST

46014-253-02

REF. No.	PARTS No.	PARTS NAME	HANDLE-Pro		2/2	Feb.08,2006	REMARKS
			Q'TY INCLUDING	PRICE()			
29							
30							
31							
32							
33							
34							
35							
36							
37	68013 161	SPRING	1				
38	71900 796	COVER ASS'Y	1				
39	470L 0514	(+)TAPPING SCREW	2				
40	71900 845	BOLT SET	1				
41	569L 0800	FLANGE NYLON NUT	4				
42	31057 256	HEXAGON BOLT	4				
43	583L 0800	FLANGE CAP NUT	6				
44	71900 846	BAR SET	1				
45	11012 132	HANGER BAND	2				
46	31057 181	HEXAGON BOLT	2				
47	68028 103	WIRE BAND	2				
48	91003 125	CONTROL CABLE	1				
49	91003 170	CONTROL CABLE	1				
50	91001 329	THROTTLE WIRE(GXV120/GXV160)	1				
51	91003 169	CONTROL CABLE(BBC)	1				
52	11062 178	FRAME C.P.	1				
53	36098 132	GRASS BAG C.P.(KAAZ)	1				
54							
55							
56							