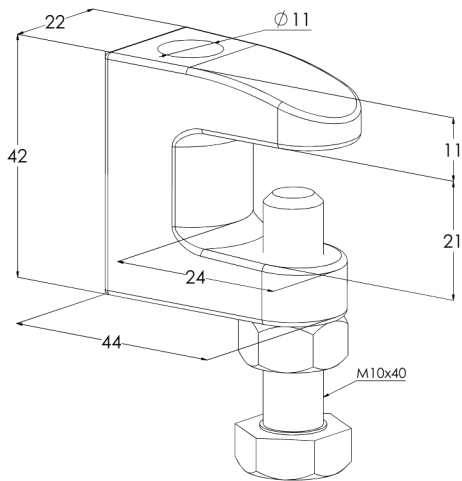


Beam bracket PK1 EG

Beam brackets PK1 are used to attach threaded rods GT-10 to I-beams.



Product name	PK1 EG		
SKU	1449631		
Material	Steel		
Corrosivity category	C1-C2		
Color	Grey		
Sales unit	PCE		
Packing size	10 PCE		
Dimensions (mm) Width Height Length	44	70	22
Weight (kg/pce)	0,14		
GTIN	6438377022419		
Surface finish	Electroplated with zinc after manufacturing in accordance with standard EN ISO 2081		

Loading capacity (kg)	300
-----------------------	-----