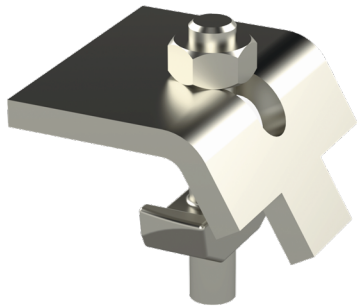


Beam bracket PK2 HDG

Beam brackets PK2 are used to attach ceiling supports TP1 and HK1 via AS mounting rails to I-beams.



Product name	PK2 HDG		
SKU	1449632		
Material	Steel		
Corrosivity category	C1-C4		
Color	Grey		
Sales unit	PCE		
Packing size	10 PCE		
Dimensions (mm) Width Height Length	60	63	60
Weight (kg/pce)	0,23		
GTIN	6438377022426		
Surface finish	Hot-dip galvanized after manufacturing in accordance with standard EN ISO 1461		

Loading capacity (kg)	300
-----------------------	-----

