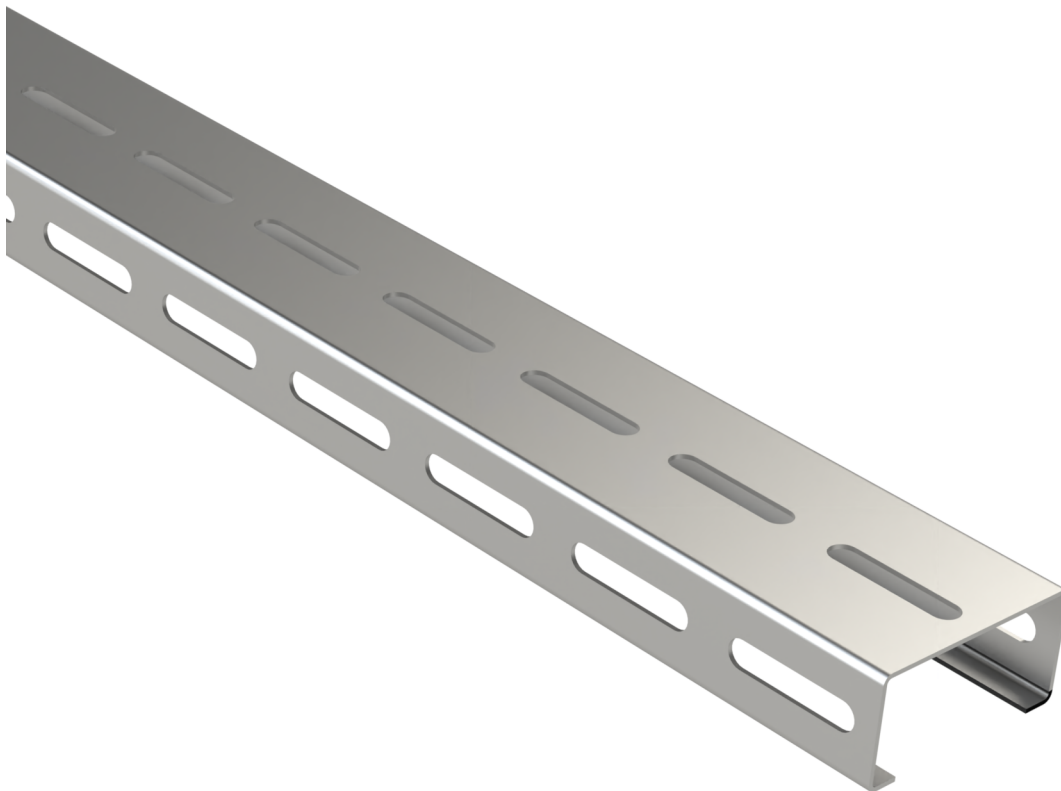


## C-Pile 1,5m depth

### C-Pile 1,5m 48x98x2 L=1840 XPG

C-Pile 1,5m depth

Product name	C-Pile 1,5m 48x98x2 L=1840 XPG		
SKU	8004220		
Material	Steel		
Corrosivity category	C1-C4		
Color	Grey		
Sales unit	PCE		
Packing size	1 PCE		
Dimensions (mm) Width   Height   Length	98	48	1840
Weight (kg/pce)	5,2		
GTIN	6438377159061		
Surface finish	Manufactured of coated steel in accordance with standard EN 10346		



**C-Pile 1,5m depth**  
**C-Pile 1,5m 48x98x2 L=1840 XPG**

