

Cable ladder

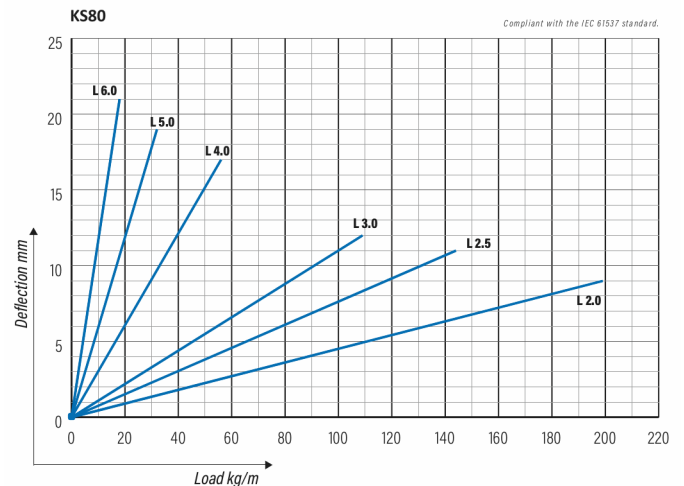
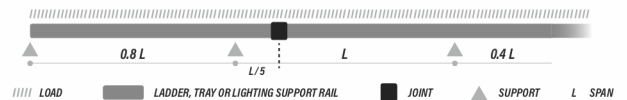
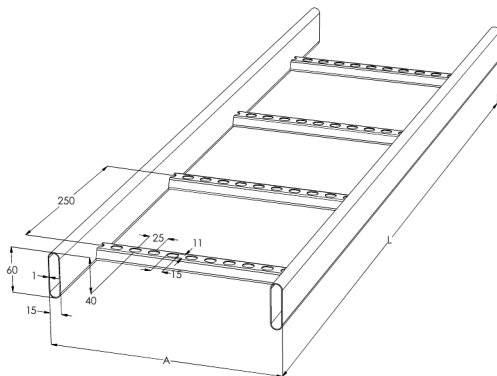
HST KS80-400 L=6000

Industrial cable ladders KS80 are suitable for high loading capacities and wider spans. Tube side profiles protect ladders from dust, dirt and humidity that is required in i.e. pulp and paper-, wood- and food industry as well as in outdoor installations.



Product name	HST KS80-400 L=6000		
SKU	1430004		
Material	Acid-proof steel		
Corrosivity category	C1-CX		
Color	Grey		
Sales unit	MTR		
Packing size	10 PCE / 60 MTR		
Dimensions (mm) Width Height Length	400	60	6000
Weight (kg/pce)	17		
GTIN	6438377004538		
Surface finish	Manufactured of stainless steel in accordance with standard EN 10088		

Dimension L (mm)	6000
Dimension A (mm)	400
Material thickness (mm)	1



Cable ladder

HST KS80-400 L=6000

