

# Cable ladder

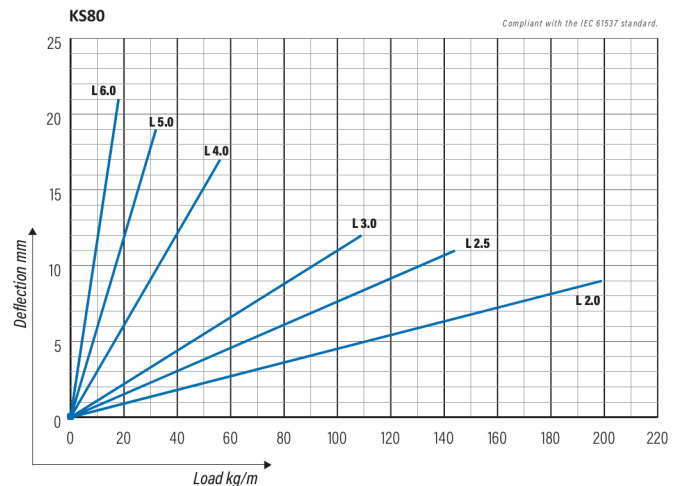
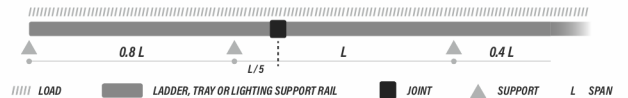
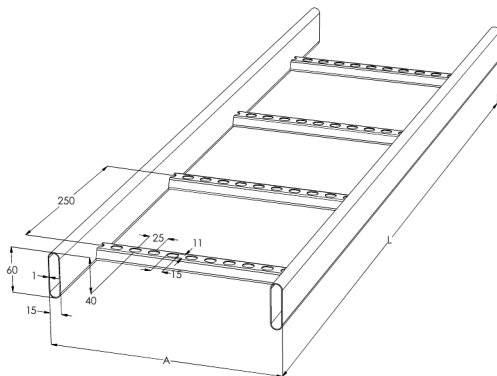
## HST KS80-500 L=6000

Industrial cable ladders KS80 are suitable for high loading capacities and wider spans. Tube side profiles protect ladders from dust, dirt and humidity that is required in i.e. pulp and paper-, wood- and food industry as well as in outdoor installations.



Product name	HST KS80-500 L=6000		
SKU	1430005		
Material	Acid-proof steel		
Corrosivity category	C1-CX		
Color	Grey		
Sales unit	MTR		
Packing size	10 PCE / 60 MTR		
Dimensions (mm) Width   Height   Length	500	60	6000
Weight (kg/pce)	18,15		
GTIN	6438377004545		
Surface finish	Manufactured of stainless steel in accordance with standard EN 10088		

Dimension L (mm)	6000
Dimension A (mm)	500
Material thickness (mm)	1



## Cable ladder HST KS80-500 L=6000

