

# Cable ladder

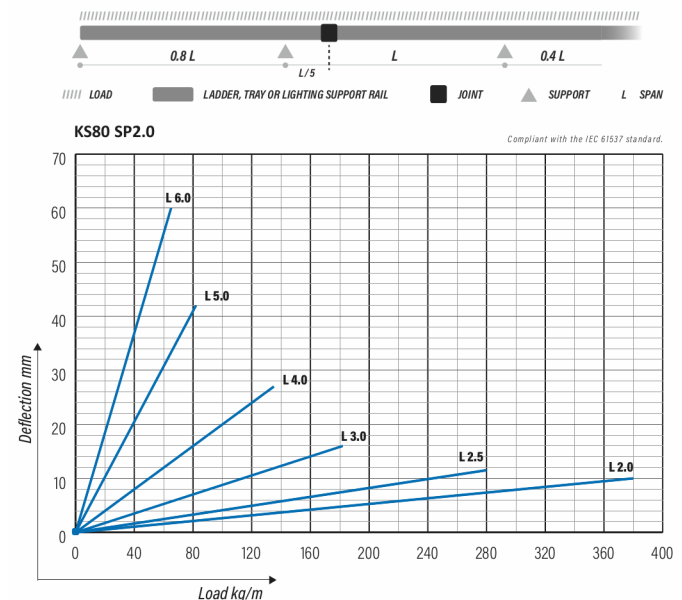
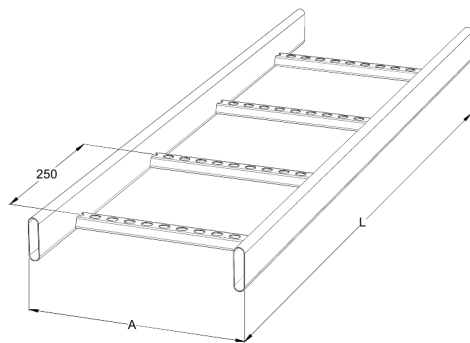
## KS80-600 SP2.0 L=6000 HDG

Reinforced industrial cable ladders KS80 SP2.0 are suitable for high loading capacities and wider spans. Tube side profiles protect ladders from dust, dirt and humidity that is required in i.e. pulp and paper-, wood- and food industry as well as in outdoor installations.



Product name	KS80-600 SP2.0 L=6000 HDG		
SKU	1449511		
Material	Steel		
Corrosivity category	C1-C4		
Color	Grey		
Sales unit	MTR		
Packing size	10 PCE / 60 MTR		
Dimensions (mm) Width   Height   Length	600	60	6000
Weight (kg/pce)	34,66		
GTIN	6438377021504		
Surface finish	Hot-dip galvanized after manufacturing in accordance with standard EN ISO 1461		

Dimension L (mm)	6000
Dimension A (mm)	600
Material thickness (mm)	2



# Cable ladder

## KS80-600 SP2.0 L=6000 HDG

