

Cable ladder for food industry

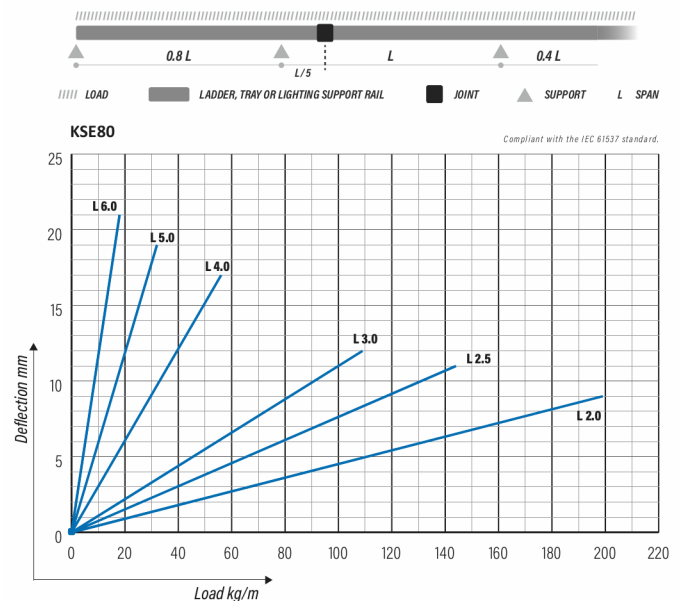
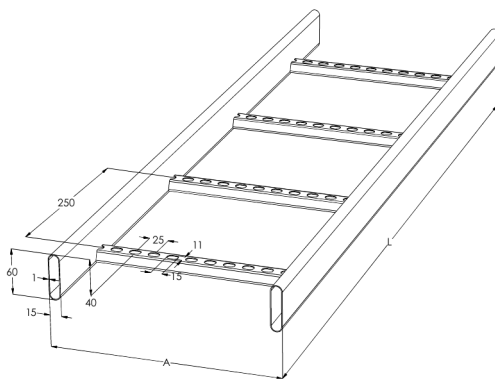
KSE80-600 L=6000 HDG

Cable ladders KSE80 are suitable to use especially in food industry. Tube side profiles and special rungs enable cleaning and meet the food industry's hygiene requirements.



| | | | |
|--|--|----|------|
| Product name | KSE80-600 L=6000 HDG | | |
| SKU | 1449896 | | |
| Material | Steel | | |
| Corrosivity category | C1-C4 | | |
| Color | Grey | | |
| Sales unit | MTR | | |
| Packing size | 10 PCE / 60 MTR | | |
| Dimensions (mm) Width Height Length | 600 | 60 | 6000 |
| Weight (kg/pce) | 19,57 | | |
| GTIN | 6438377087456 | | |
| Surface finish | Hot-dip galvanized after manufacturing in accordance with standard EN ISO 1461 | | |

| | |
|-------------------------|------|
| Dimension L (mm) | 6000 |
| Dimension A (mm) | 600 |
| Material thickness (mm) | 1 |



Cable ladder for food industry KSE80-600 L=6000 HDG

