

Cable tray

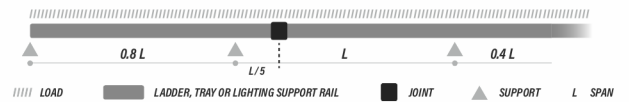
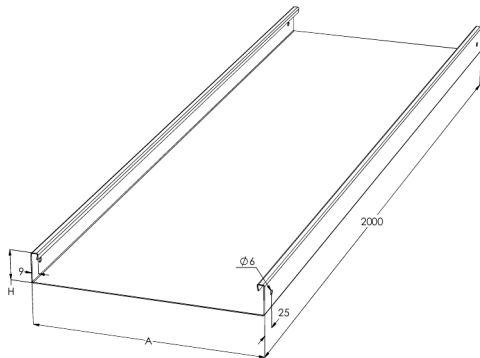
KRA-40-100 L=2000 M

Cable trays, non-perforated, are used in places where cables have to be totally invisible and protected underneath. Typically used in office- and commercial buildings, schools, hospitals and shopping centres but also in warehouses, parking halls and industrial buildings.



Product name	KRA-40-100 L=2000 M		
SKU	1431221		
Material	Steel		
Corrosivity category	C1-C2		
Color	White		
Sales unit	MTR		
Packing size	30 PCE / 60 MTR		
Dimensions (mm) Width Height Length	100	40	2000
Weight (kg/pce)	2,44		
GTIN	6438377009298		
Surface finish	White RAL 9010 polyester paint coating		

Dimension L (mm)	2000
Dimension A (mm)	100
Dimension H (mm)	40
Material thickness (mm)	0,75



KRA/KRB 40 | WIDTHS 100, 200

Compliant with the IEC 61537 standard.

