

Cable tray

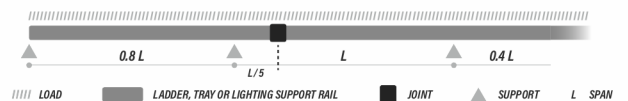
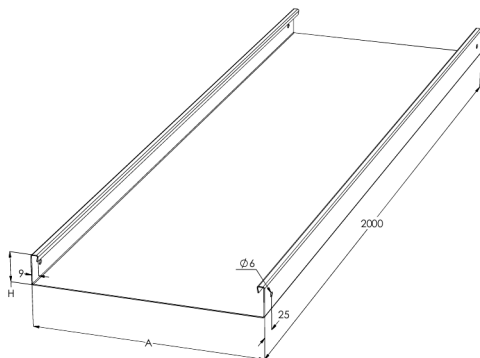
KRA-40-200 L=2000 PG

Cable trays, non-perforated, are used in places where cables have to be totally invisible and protected underneath. Typically used in office- and commercial buildings, schools, hospitals and shopping centres but also in warehouses, parking halls and industrial buildings.



Product name	KRA-40-200 L=2000 PG		
SKU	1431202		
Material	Steel		
Corrosivity category	C1-C2		
Color	Grey		
Sales unit	MTR		
Packing size	30 PCE / 60 MTR		
Dimensions (mm) Width Height Length	200	40	2000
Weight (kg/pce)	3,58		
GTIN	6438377009182		
Surface finish	Manufactured of hot-dip galvanized steel in accordance with standard EN 10346		

Dimension L (mm)	2000
Dimension A (mm)	200
Dimension H (mm)	40
Material thickness (mm)	0,75



KRA/KRB 40 | WIDTHS 100, 200

Compliant with the IEC 61537 standard.

