

Cable tray

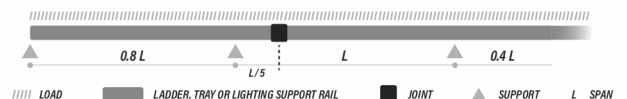
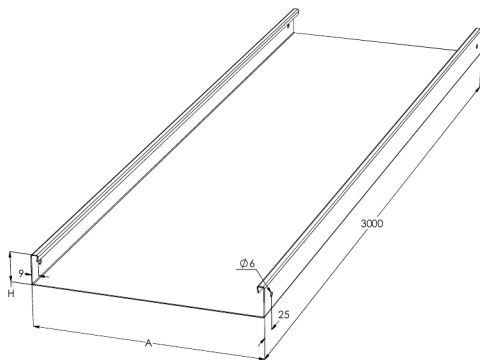
KRA-60-300 L=3000 M

Cable trays, non-perforated, are used in places where cables have to be totally invisible and protected underneath. Typically used in office- and commercial buildings, schools, hospitals and shopping centres but also in warehouses, parking halls and industrial buildings.



| | | | |
|--|--|----|------|
| Product name | KRA-60-300 L=3000 M | | |
| SKU | 1432023 | | |
| Material | Steel | | |
| Corrosivity category | C1-C2 | | |
| Color | White | | |
| Sales unit | MTR | | |
| Packing size | 20 PCE / 60 MTR | | |
| Dimensions (mm) Width Height Length | 300 | 60 | 3000 |
| Weight (kg/pce) | 10,53 | | |
| GTIN | 6438377012953 | | |
| Surface finish | White RAL 9010 polyester paint coating | | |

| | |
|-------------------------|------|
| Dimension L (mm) | 3000 |
| Dimension A (mm) | 300 |
| Dimension H (mm) | 60 |
| Material thickness (mm) | 1 |



KRA/KRB 60-300

Compliant with the IEC 61537 standard.

