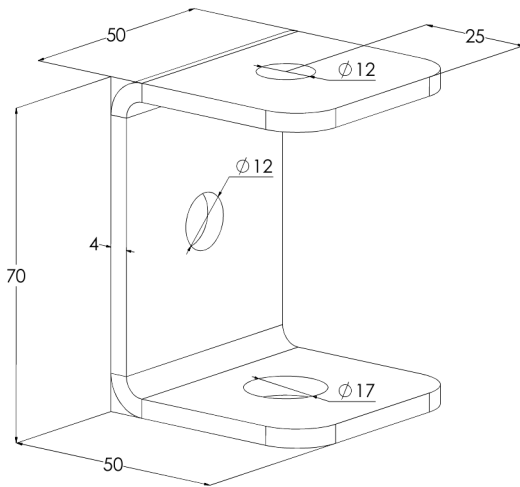
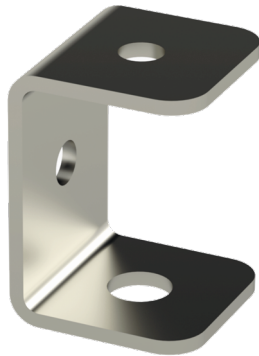


Ceiling bracket

RTF-16 HDG

Ceiling brackets RTF are used to mount threaded rods GT to ceiling.



| | | | |
|--|--|----|----|
| Product name | RTF-16 HDG | | |
| SKU | 1449653 | | |
| Material | Steel | | |
| Corrosivity category | C1-C4 | | |
| Color | Grey | | |
| Sales unit | PCE | | |
| Packing size | 10 PCE | | |
| Dimensions (mm) Width Height Length | 50 | 70 | 50 |
| Weight (kg/pce) | 0,23 | | |
| GTIN | 6438377022594 | | |
| Surface finish | Hot-dip galvanized after manufacturing in accordance with standard EN ISO 1461 | | |

| | |
|-----------------------|-----|
| Loading capacity (kg) | 400 |
|-----------------------|-----|