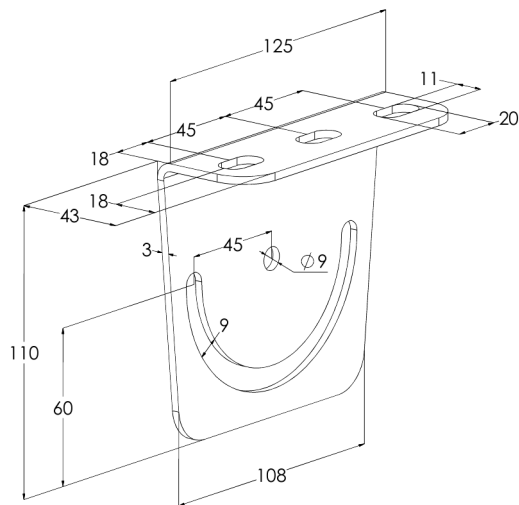


Ceiling bracket

RTF-S HDG

Ceiling brackets RTF-S are used to mount mounting rails AS and FP to ceiling.



Product name	RTF-S HDG		
SKU	1449654		
Material	Steel		
Corrosivity category	C1-C4		
Color	Grey		
Sales unit	PCE		
Packing size	10 PCE		
Dimensions (mm) Width Height Length	125	110	43
Weight (kg/pce)	0,37		
GTIN	6438377022600		
Surface finish	Hot-dip galvanized after manufacturing in accordance with standard EN ISO 1461		

Loading capacity (kg)	250
-----------------------	-----