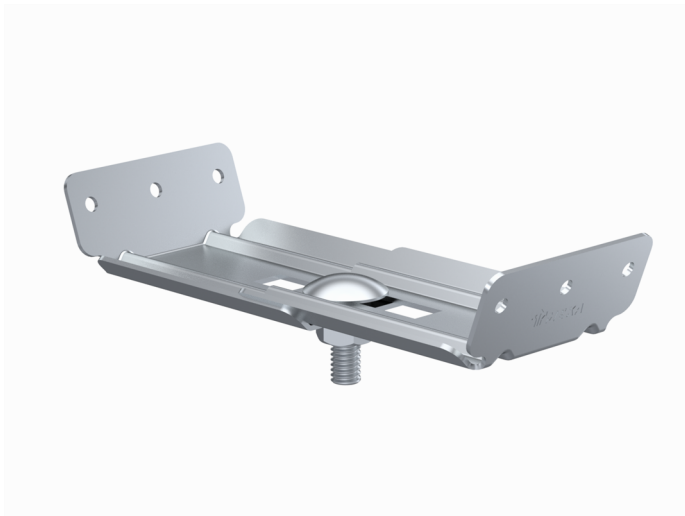


Ceiling bracket TFP-A3 XPG

The adjustable ceiling bracket TFP-A is used to attach either Threaded rods GT-10 or Mounting rails AS to ceiling profiles and corrugated sheets. The threaded rods are attached to the ceiling bracket with an Extension nut JM M10. The mounting rails are attached with a Ceiling bracket RTF-S.



Product name	TFP-A3 XPG		
SKU	1433490		
Material	Steel		
Corrosivity category	C1-C4		
Color	Grey		
Sales unit	PCE		
Packing size	10 PCE		
Dimensions (mm) Width Height Length	169	75	65
Weight (kg/pce)	2		
GTIN	6438377127770		
Surface finish	Manufactured of coated steel in accordance with standard EN 10346		

Dimension A (mm)	110-165
Loading capacity (kg)	95

