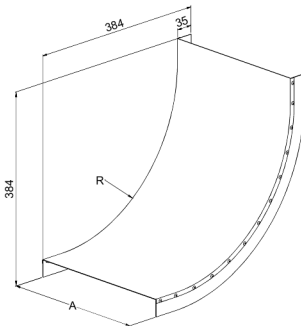
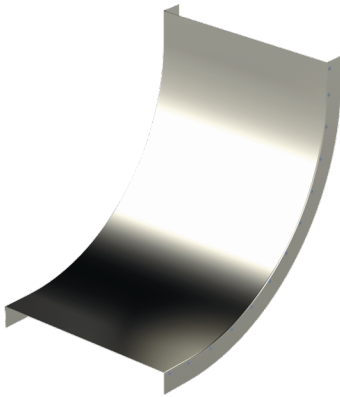


Cover

KRL-KSVI-500 R=300 PG

Vertical bend covers KRL-KSVI protect cables from damage, dirt and UV radiation as well as finishes the installation for KSV bends. KRL-KSVI covers' inside radius is R=300 mm.



| | | | |
|--|---|-----|-----|
| Product name | KRL-KSVI-500 R=300 PG | | |
| SKU | 1432985 | | |
| Material | Steel | | |
| Corrosivity category | C1-C2 | | |
| Color | Grey | | |
| Sales unit | PCE | | |
| Packing size | 4 PCE | | |
| Dimensions (mm) Width Height Length | 508 | 384 | 384 |
| Weight (kg/pce) | 2,9 | | |
| GTIN | 6438377018061 | | |
| Surface finish | Manufactured of hot-dip galvanized steel in accordance with standard EN 10346 | | |

| | |
|------------------|-----|
| Dimension A (mm) | 502 |
| Radius (mm) | 300 |