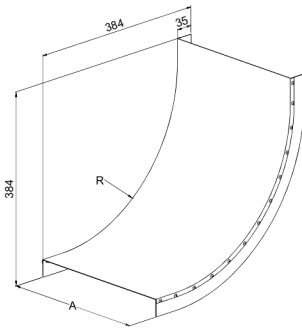
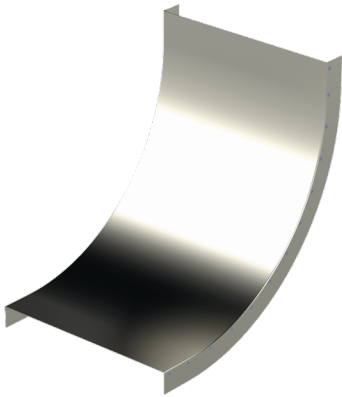


## Cover

### KRL-KSVI-600 R=300 XPG

Vertical bend covers KRL-KSVI protect cables from damage, dirt and UV radiation as well as finishes the installation for KSV bends. KRL-KSVI covers' inside radius is R=300 mm.



Product name	KRL-KSVI-600 R=300 XPG		
SKU	1433399		
Material	Steel		
Corrosivity category	C1-C4		
Color	Grey		
Sales unit	PCE		
Packing size	4 PCE		
Dimensions (mm) Width   Height   Length	608	384	384
Weight (kg/pce)	2,98		
GTIN	6438377108915		
Surface finish	Manufactured of coated steel in accordance with standard EN 10346		

Dimension A (mm)	602
Radius (mm)	300