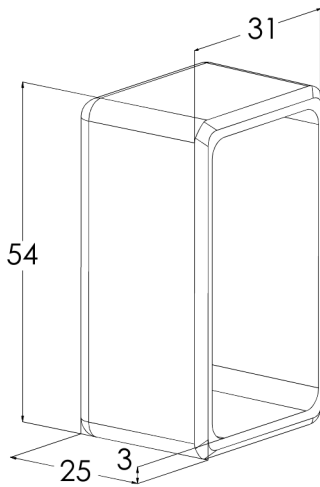


# End plug SP

End plugs SP are used to cover ends of AS mounting rails and ceiling brackets HK1 and HK2.



Product name	SP		
SKU	1449672		
Material	Plastic		
Corrosivity category			
Color	Orange		
Sales unit	PCE		
Packing size	10 PCE		
Dimensions (mm) Width   Height   Length	32	54	25
Weight (kg/pce)	0,01		
GTIN	6438377022785		
Surface finish	Orange plastic		