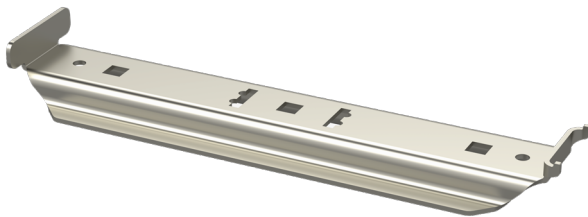
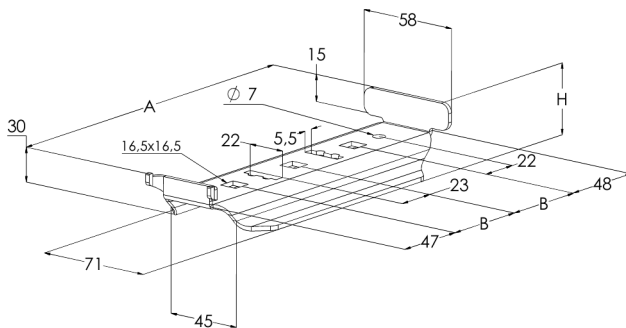


Intermediate support RMK-40-200 16 PG

Intermediate supports RMK are used for supporting KRA and KRB cable trays into ceiling by using threaded rods GT (one or two) or mounting rails PS.



Product name	RMK-40-200 16 PG		
SKU	1431512		
Material	Steel		
Corrosivity category	C1-C2		
Color	Grey		
Sales unit	PCE		
Packing size	10 PCE		
Dimensions (mm) Width Height Length	195	35	71
Weight (kg/pce)	0,3		
GTIN	6438377010881		
Surface finish	Manufactured of hot-dip galvanized steel in accordance with standard EN 10346		



Dimension A (mm)	95
Dimension B (mm)	50
Dimension C (mm)	16,5
Dimension H (mm)	35
Loading capacity (kg)	200