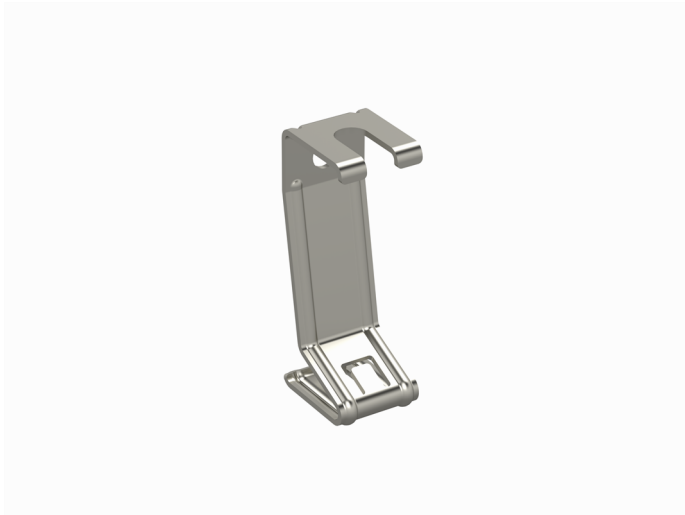


Intermediate support WMT CS-10 HDG

Intermediate supports WMT CS and threaded rods GT-10 are used for ceiling installations with wire mesh trays. The support can be installed on a ceiling also without threaded rod.



Product name	WMT CS-10 HDG		
SKU	1448754		
Material	Steel		
Corrosivity category	C1-C4		
Color	Grey		
Sales unit	BG		
Packing size	10 PCE / 1 BG		
Dimensions (mm) Width Height Length	36	92	29
Weight (kg/pce)	0,07		
GTIN	6438377101350		
Surface finish	HDG or corresponding corrosion protection		

