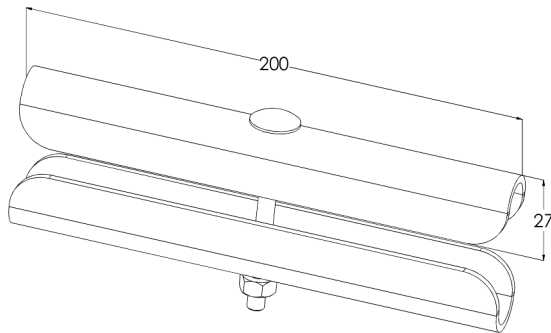
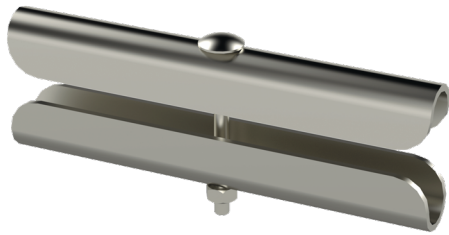


Joint SSU HDG

Joints SSU are used to extend KS-type cable ladders as well cable ladders' bends, T- and X-pieces.



Product name	SSU HDG		
SKU	1449670		
Material	Steel		
Corrosivity category	C1-C4		
Color	Grey		
Sales unit	PCE		
Packing size	10 PCE		
Dimensions (mm) Width Height Length	24	85	200
Weight (kg/pce)	0,68		
GTIN	6438377022761		
Surface finish	Hot-dip galvanized after manufacturing in accordance with standard EN ISO 1461		