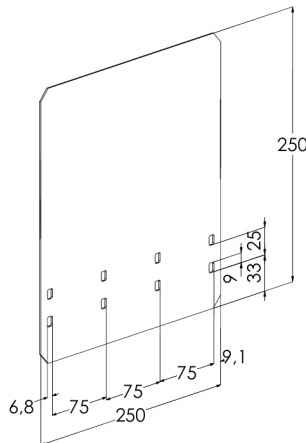


Mounting plate

KS100 DPA-O XPG

Mounting plates DPA-O are used for mounting junction boxes and other devices to KS100-type cable ladders. Devices mounted on the plates are clearly visible and easy to access later. Fixing different equipment to DPA-O plates can be done by using drilling screws, for instance. Product set includes bolts and nuts for fixing the mounting plate to cable ladder's side profile. Useful place for mounting is 25x14 cm.



Product name	KS100 DPA-O XPG		
SKU	1478173		
Material	Steel		
Corrosivity category	C1-C4		
Color	Grey		
Sales unit	PCE		
Packing size	10 PCE		
Dimensions (mm)			
Width Height Length	250	250	2
Weight (kg/pce)	0,72		
GTIN	6438377120481		
Surface finish	Manufactured of coated steel in accordance with standard EN 10346		