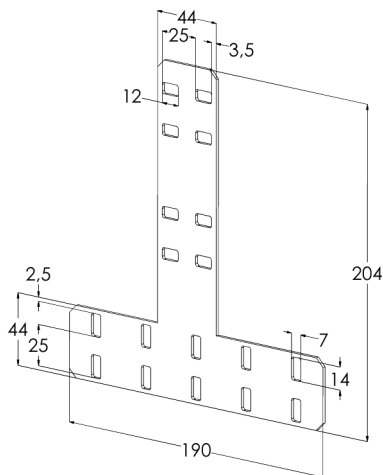
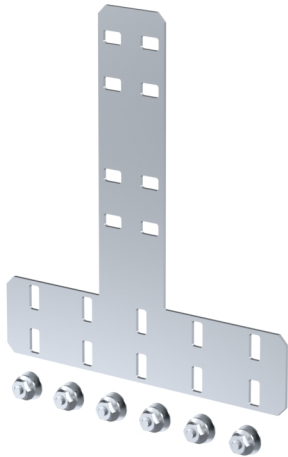


Vertical joint KS100 VEF XPG

Vertical joints KS100 VEF are used to make vertical connections of KS100-type cable ladders from the middle of ladders' straight selections. Product set includes bolts and nuts for fixing.



| | | | |
|-------------------------|---|-----|-----|
| Product name | KS100 VEF XPG | | |
| SKU | 1478165 | | |
| Material | Steel | | |
| Corrosivity category | C1-C4 | | |
| Color | Grey | | |
| Sales unit | PCE | | |
| Packing size | 10 PCE | | |
| Dimensions (mm) | | | |
| Width Height Length | 24 | 204 | 190 |
| Weight (kg/pce) | 0,27 | | |
| GTIN | 6438377120405 | | |
| Surface finish | Manufactured of coated steel in accordance with standard EN 10346 | | |