

Cable ladder

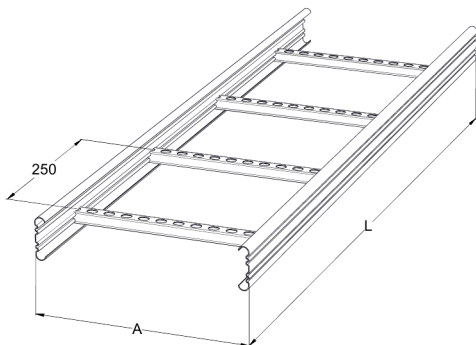
KS20-600 L=3000 XPG

Multipurpose cable ladders KS20 are suitable for medium and higher loading capacities. Open C-shaped side profiles enable using of interior supports and -joints that leaves a better look when cable ladders are installed. Mounting of KS20 cable ladders is handy and pleasant because of their light weight and rounded side profiles. Suitable joints for KS20 cable ladders are SSC and SSR. For mounting can be used intermediate ceiling supports MK and HK13, gate supports PRT and wall supports VKZ, VKI and VK. Fastening ladders to supports can be made with brackets KK or KK-MK. For making simpler corners and bends are commonly used adjustable joints NL and T-brackets VF.

| | | | |
|--|---|----|------|
| Product name | KS20-600 L=3000 XPG | | |
| SKU | 1433076 | | |
| Material | Steel | | |
| Corrosivity category | C1-C4 | | |
| Color | Grey | | |
| Sales unit | MTR | | |
| Packing size | 10 PCE / 30 MTR | | |
| Dimensions (mm) Width Height Length | 600 | 60 | 3000 |
| Weight (kg/pce) | 7,98 | | |
| GTIN | 6438377138288 | | |
| Surface finish | Manufactured of coated steel in accordance with standard EN 10346 | | |



| | |
|-------------------------|------|
| Dimension L (mm) | 3000 |
| Dimension A (mm) | 600 |
| Material thickness (mm) | 1 |



Cable ladder

KS20-600 L=3000 XPG

