

Cable ladder

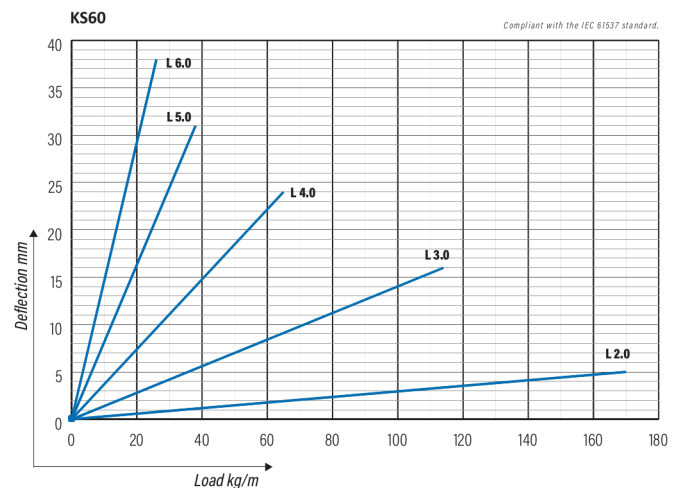
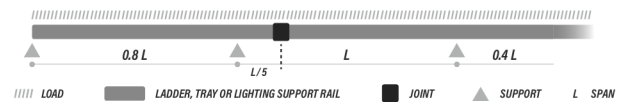
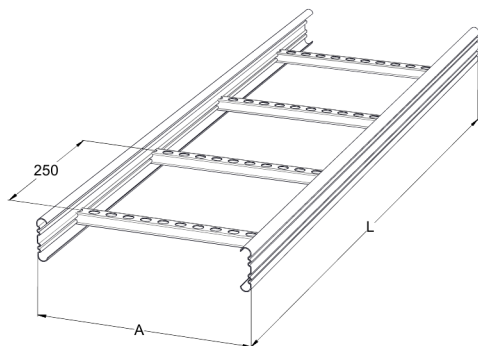
KS60-600 L=6000 XPG

Multipurpose cable ladders KS60 are suitable for high loading capacities. Open C-shaped side profiles enable using of interior supports that leaves a better look when cable ladders are installed. Mounting of KS60 cable ladders is handy and pleasant because of their light weight and rounded side profiles. Suitable joints for KS60 cable ladders is SSR. For mounting can be used intermediate ceiling supports MK and HK13, gate supports PRT and wall supports VKZ, VKI and VK. Fastening ladders to supports can be made with brackets KK or KK-MK. For making simpler corners and bends are commonly used adjustable joints NL and T-brackets VF.

Product name	KS60-600 L=6000 XPG		
SKU	1433091		
Material	Steel		
Corrosivity category	C1-C4		
Color	Grey		
Sales unit	MTR		
Packing size	10 PCE / 60 MTR		
Dimensions (mm) Width Height Length	600	60	6000
Weight (kg/pce)	18,48		
GTIN	6438377138387		
Surface finish	Manufactured of coated steel in accordance with standard EN 10346		



Dimension L (mm)	6000
Dimension A (mm)	600
Material thickness (mm)	1,25



Cable ladder

KS60-600 L=6000 XPG

