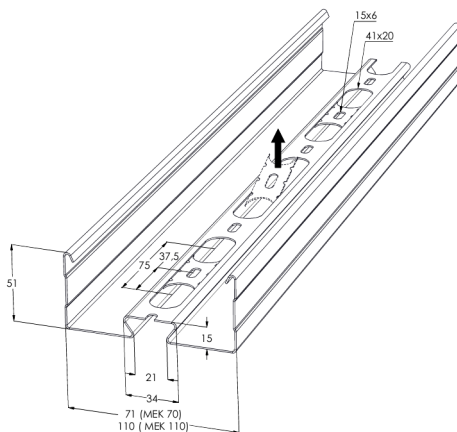
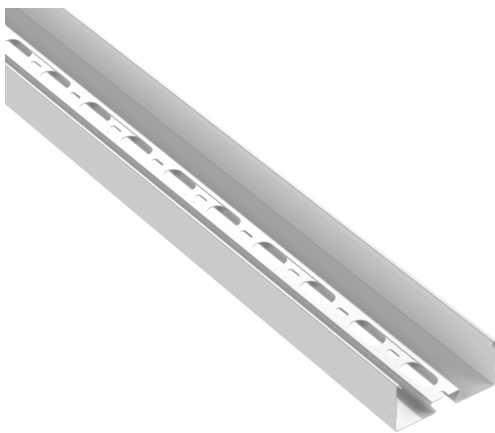


Lighting support rail MEK 110 K L=6000 M

Lighting support rails MEK 110 K are used for installation of luminaires, cables and other devices in shopping centres, schools, office- and commercial buildings, parking halls, warehouses etc. Unique MEK profile allows longer spans that save time for mounting and reduce costs for installation accessories. For fixing luminaires to rails brackets MEK AH, sliding nuts MEK-VM or nut sets MEK VM-L can be used.



Product name	MEK 110 K L=6000 M		
SKU	1449370		
Material	Steel		
Corrosivity category	C1-C2		
Color	White		
Sales unit	PCE		
Packing size	21 PCE / 126 MTR		
Dimensions (mm) Width Height Length	110	51	6000
Weight (kg/pce)	8,88		
GTIN	6438377138486		
Surface finish	White RAL 9010 polyester paint coating		

Dimension L (mm)	6000
Material thickness (mm)	0,75

