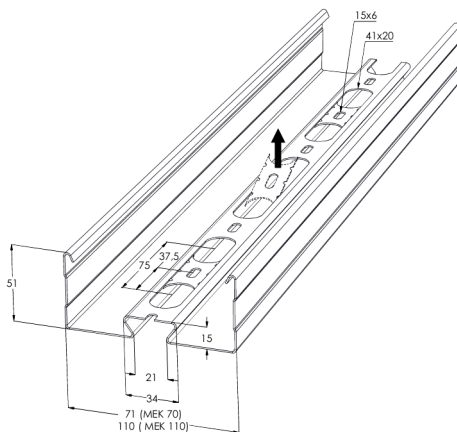


Lighting support rail MEK 110 K L=6000 PG

Lighting support rails MEK 110 K are used for installation of luminaires, cables and other devices in shopping centres, schools, office- and commercial buildings, parking halls, warehouses etc. Unique MEK profile allows longer spans that save time for mounting and reduce costs for installation accessories. For fixing luminaires to rails brackets MEK AH, sliding nuts MEK-VM or nut sets MEK VM-L can be used.



Product name	MEK 110 K L=6000 PG		
SKU	1449368		
Material	Steel		
Corrosivity category	C1-C2		
Color	Grey		
Sales unit	PCE		
Packing size	21 PCE / 126 MTR		
Dimensions (mm) Width Height Length	110	51	6000
Weight (kg/pce)	8,78		
GTIN	6438377136956		
Surface finish	Manufactured of hot-dip galvanized steel in accordance with standard EN 10346		

Dimension L (mm)	6000
Material thickness (mm)	0,75

