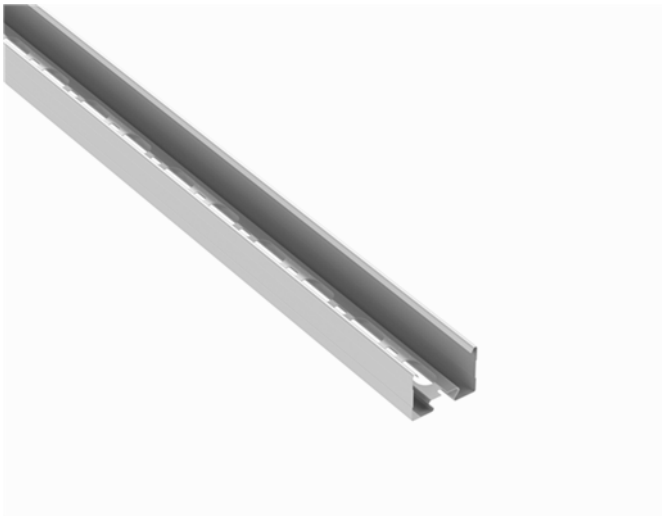


Lighting support rail MEK 70 S L=3000 M

Lighting support rails MEK 70 S are used for installation of luminaires, cables and other devices in shopping centres, schools, office- and commercial building etc. Unique profile allows longer spans and use of MEK VM sliding nuts. MEK 70 S are suitable for lower loading capacities.



Product name	MEK 70 S L=3000 M		
SKU	1449303		
Material	Steel		
Corrosivity category	C1-C2		
Color	White		
Sales unit	MTR		
Packing size	28 PCE / 84 MTR		
Dimensions (mm) Width Height Length	71	51	3000
Weight (kg/pce)	2,33		
GTIN	6438377105549		
Surface finish	White RAL 9010 polyester paint coating		

Dimension L (mm)	3000
Material thickness (mm)	0,5

