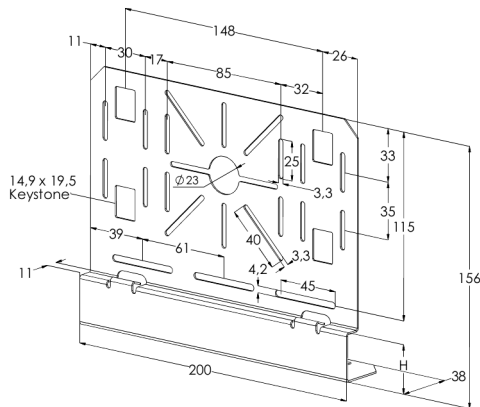
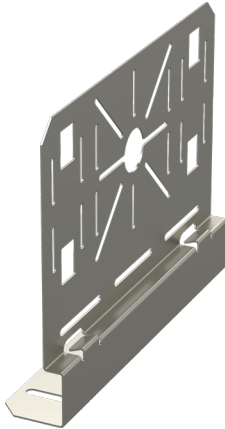


# Mounting plate

## RDP-40 PG

Mounting plates RDP are used to mount junction boxes and other devices to cable trays KRA and KRB as well as to MEK-type lighting supports rails.



Product name	RDP-40 PG		
SKU	1431649		
Material	Steel		
Corrosivity category	C1-C2		
Color	Grey		
Sales unit	PCE		
Packing size	10 PCE		
Dimensions (mm) Width   Height   Length	38	156	200
Weight (kg/pce)	0,28		
GTIN	6438377011369		
Surface finish	Manufactured of hot-dip galvanized steel in accordance with standard EN 10346		

Dimension H (mm)	30
------------------	----