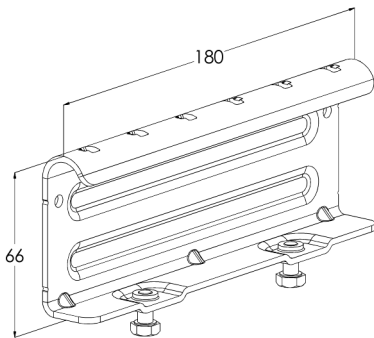


Joint SSR XPG

Joints SSR are used to extend KS20-, KS60- and KS80-type cable ladders as well as cable ladders' bends, T- and X-pieces. Installation of joints SSR is quick and convenient, as fastening bolts are already attached to joints. Special nibs inside of joints prevent attached elements from slipping apart.

Correctly installed joints ensure sufficient electrical conductivity and additional equipotential bonding is not required.



Product name	SSR XPG		
SKU	1433053		
Material	Steel		
Corrosivity category	C1-C4		
Color	Grey		
Sales unit	PCE		
Packing size	10 PCE		
Dimensions (mm) Width Height Length	27	80	180
Weight (kg/pce)	0,37		
GTIN	6438377158873		
Surface finish	Manufactured of coated steel in accordance with standard EN 10346		

Fire resistance category (E)	E90
CO2e/kg	2,72