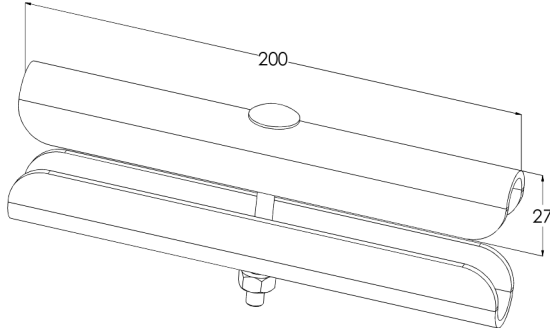
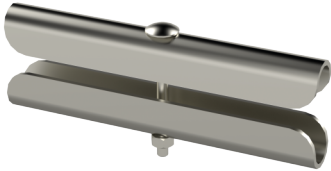


Joint SSU XPG

Joints SSU are mainly used to extend KS80-type cable ladders as well as cable ladders' bends, T- and X-pieces. Correctly installed joints ensure sufficient electrical conductivity and additional equipotential bonding is not required.

Product set includes joint parts, bolt and nut for fastening.



Product name	SSU XPG		
SKU	1433054		
Material	Steel		
Corrosivity category	C1-C4		
Color	Grey		
Sales unit	PCE		
Packing size	10 PCE		
Dimensions (mm) Width Height Length	24	85	200
Weight (kg/pce)	0,59		
GTIN	6438377158897		
Surface finish	Manufactured of coated steel in accordance with standard EN 10346		

Fire resistance category (E)	E90
CO2e/kg	2,72