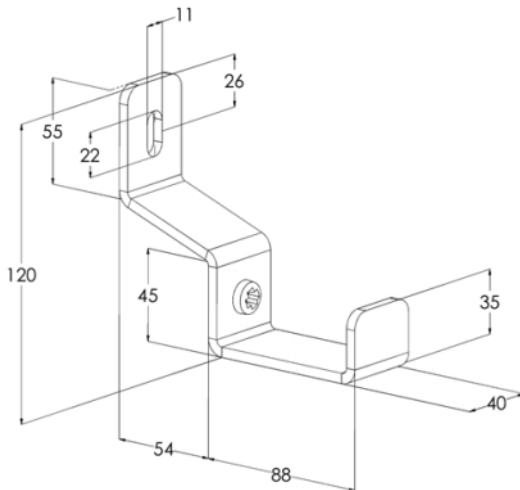


Wall support RVK-100 M

Wall supports RVK are used for mounting 40 mm height KR-type cable trays to wall, mounting rails AS, ceiling supports HK1, HK2 and TP2 from the inner side of the cable trays. Supports RVK are placed inside of cable trays that allows a good-looking installation at places where the design is important.



Product name	RVK-100 M		
SKU	1431541		
Material	Steel		
Corrosivity category	C1-C2		
Color	White		
Sales unit	PCE		
Packing size	10 PCE		
Dimensions (mm)			
Width Height Length	142	120	40
Weight (kg/pce)	0,4		
GTIN	6438377011024		
Surface finish	White RAL 9010 polyester paint coating		

Dimension L (mm)	95
Loading capacity (kg)	35