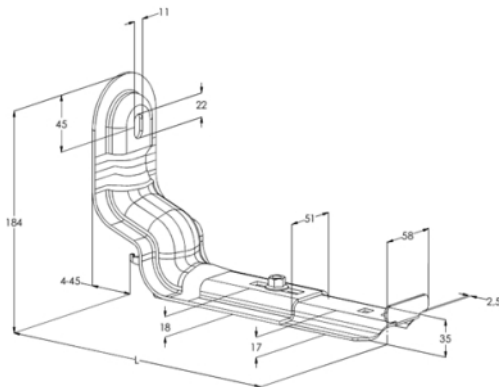


Wall support SVK-600 PG

Adjustable wall supports SVK are used for mounting 40 mm height KR-type cable trays to wall, mounting rails AS, ceiling supports HK1, HK2 and TP2 from the inner side of the cable trays. Supports SVK are placed inside of cable trays that allows a good-looking installation at places where the design is important. Adjusting range of SVK supports from wall is 4-45 mm.



Product name	SVK-600 PG		
SKU	1431556		
Material	Steel		
Corrosivity category	C1-C2		
Color	Grey		
Sales unit	PCE		
Packing size	1 PCE		
Dimensions (mm)			
Width Height Length	621	184	85
Weight (kg/pce)	2,1		
GTIN	6438377011116		
Surface finish	Manufactured of hot-dip galvanized steel in accordance with standard EN 10346		

Dimension A (mm)	595
Loading capacity (kg)	51