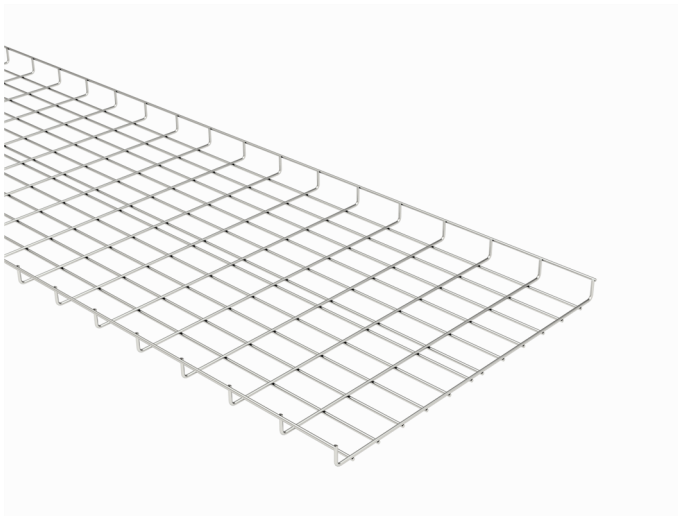


Wire mesh tray

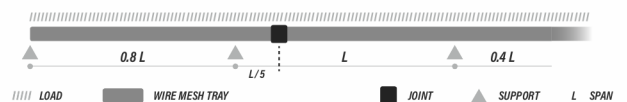
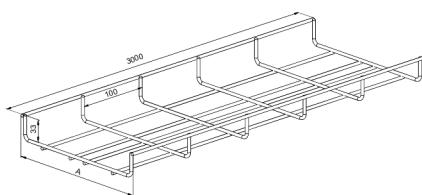
WMT-30-600 L=3000 HDG

30 mm height wire mesh tray. Wire mesh trays WMT-30 are light, easy to install and well ventilated. Different material and surface treatment options enable WMT-30 to be used in offices, ICT, food industry and renewable energy solutions. Wire mesh trays are used mainly for lower load capacities, lightweight cables, angular lines or at places with special requirements for ventilation or hygienic.



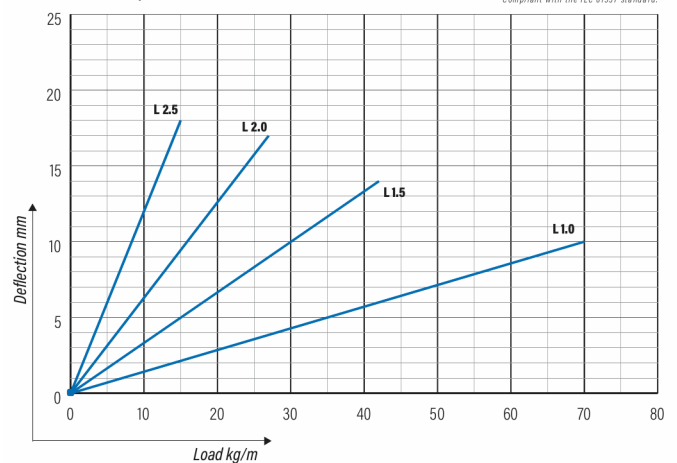
Product name	WMT-30-600 L=3000 HDG		
SKU	1448506		
Material	Steel		
Corrosivity category	C1-C4		
Color	Grey		
Sales unit	MTR		
Packing size	40 PCE / 120 MTR		
Dimensions (mm) Width Height Length	600	42	3000
Weight (kg/pce)	10,88		
GTIN	6438377018757		
Surface finish	Hot-dip galvanized after manufacturing in accordance with standard EN ISO 1461		

Dimension L (mm)	3000
Dimension A (mm)	600
Dimension H (mm)	42



WMT 30 | WIDTHS 300, 400, 500, 600

Compliant with the IEC 61537 standard.



Wire mesh tray

WMT-30-600 L=3000 HDG

