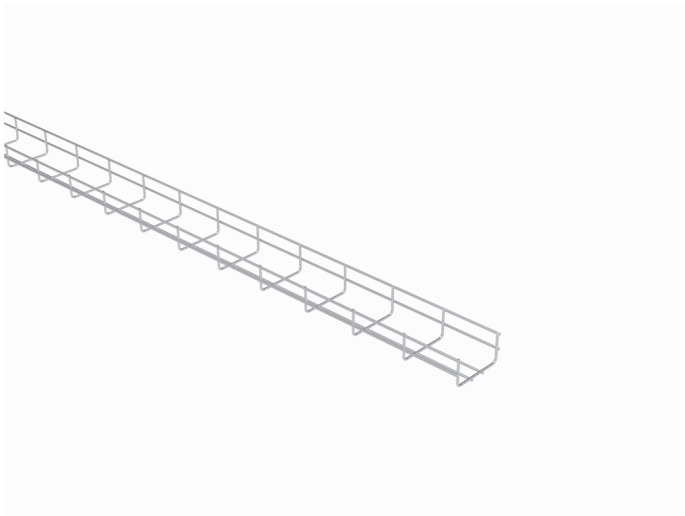


# Wire mesh tray

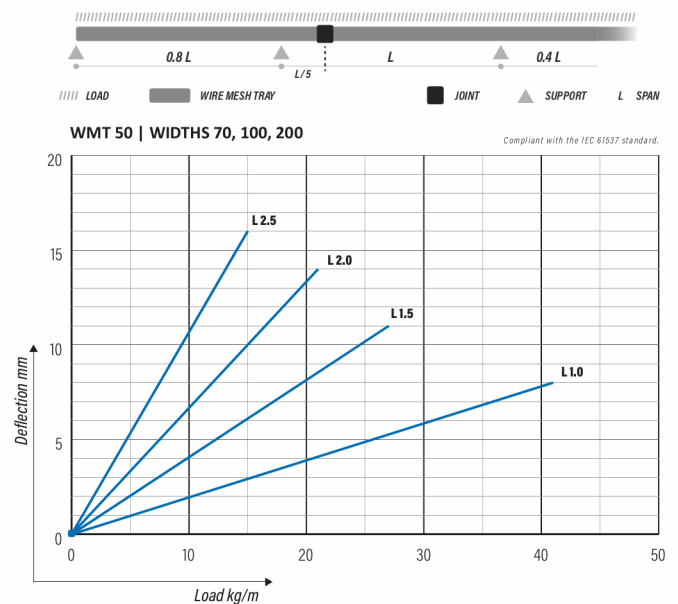
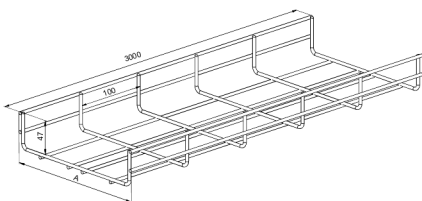
## WMT-50-100 L=3000 HST

50 mm height wire mesh tray. Wire mesh trays WMT-50 are light, easy to install and well ventilated. Different material and surface treatment options enable WMT-50 to be used in offices, ICT, food industry and renewable energy solutions. Wire mesh trays are used mainly for lower load capacities, lightweight cables, angular lines or at places with special requirements for ventilation or hygienic.



Product name	WMT-50-100 L=3000 HST		
SKU	1448608		
Material	Acid-proof steel		
Corrosivity category	C1-CX		
Color	Grey		
Sales unit	MTR		
Packing size	64 PCE / 192 MTR		
Dimensions (mm) Width   Height   Length	100	53	3000
Weight (kg/pce)	2,38		
GTIN	6438377019020		
Surface finish	Manufactured of stainless steel in accordance with standard EN 10088		

Dimension L (mm)	3000
Dimension A (mm)	100
Dimension H (mm)	53



# Wire mesh tray

## WMT-50-100 L=3000 HST

