



BDS
ROK SFERIK

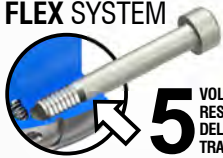
PAT. PEND.



GRADO 4



FLEX SYSTEM



5 VOLTE PIU' RESISTENTE DELLE VITI TRADIZIONALI 12.9

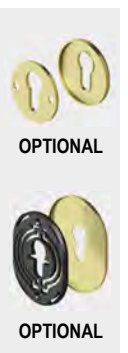
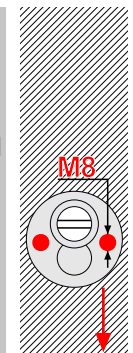
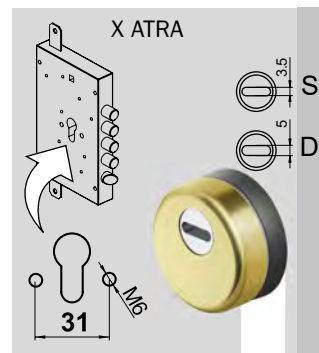
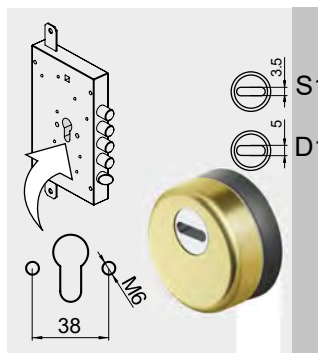
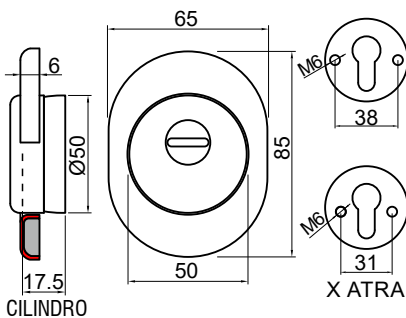
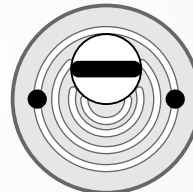
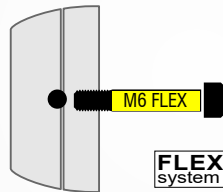
VIDEO TEST



VIDEO TEST



VIDEO:



OPTIONAL

OPTIONAL

FINITURE



BDS16 25 .. P

BDS68 25 .. P

BDS16 B 25
ESEMPIO CODICE

ESEMPIO DI CODICE PER VITI M8
EXAMPLE OF CODE FOR FIXING M8

- Cromo lucido Bright Chrome (C)
- Cromo satinato Satin Chrome (T)
- Bronzo Bronze (B)
- PVD Ottone PVD Brass (2)
- Ottone satinato Satin Brass (T)
- Bronzo satinato Satin Bronze (BS)
- Ottone lucido Bright Brass (L)
- Nero Black (N)

ESEMPIO CODICE / EXAMPLE CODE:

XXXXX

H

D1/S1

C T 2

BDS ROK SFERIK



PAT. PEND.

Ø50



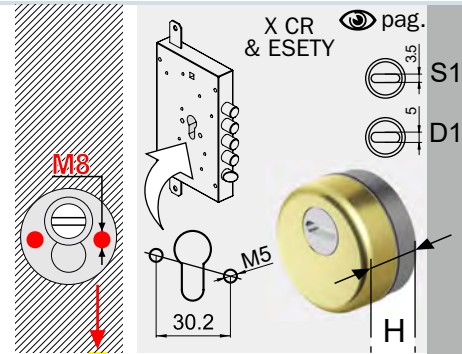
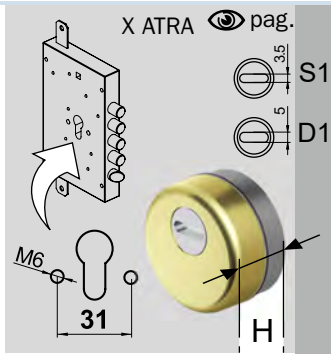
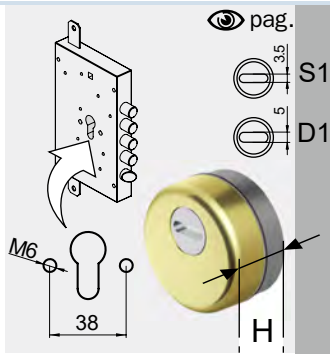
	35 S1 5 D1	35 S1 5 D1	35 S1 5 D1
	X ATRA	X CR & ESEY	
	M6 38	M6 31	M5 30.2
H	20	25	35
	ZA2316 ..	ZA2317 ..	ZA2318 ..
	ZA2313 ..	ZA2311 ..	ZA2315 ..
	ZA0814 ..		
	ZA0581 ..	ZA1874 ..	

FINITURE FINISHES

A0397..

- C Cromo lucido / Bright Chrome
- T Cromo satinato / Satin Chrome
- B Bronzo / Bronze
- 2 PVD Ottone / PVD Brass
- TT Ottone satinato / Satin Brass
- BS Bronzo satinato / Satin Bronze
- IT Inox satinato / Satin S.Steel
- N Nero / Black
- L Ottone lucido / Bright Brass





- C
- T
- B
- 2
- TT
- BS
- N
- L

BDS16 20 .. P
BDS16 25 .. P
BD16 35 .. P
BD16 45 .. P

BDS68 20 .. P
BDS68 25 .. P
BD68 35 .. P
BD68 45 .. P

BDS16 8 20..
 ESEMPIO CODICE

BDS61 20 .. P
BDS61 25 .. P



BDS16 20 .. PP
BDS16 25 .. PP
BD16 35 .. PP
BD16 45 .. PP

BDS68 20 .. PP
BDS68 25 .. PP
BD68 35 .. PP
BD68 45 .. PP

ESEMPIO DI CODICE FOR FIXING M8

BDS61 20 .. PP
BDS61 25 .. PP

BDS16 20 ..
BDS16 25 ..
BD16 35 ..
BD16 45 ..

BDS68 20 ..
BDS68 25 ..
BD68 35 ..
BD68 45 ..

BDS61 20 ..
BDS61 25 ..

BDS16 20 .. M
BDS16 25 .. M
BD16 35 .. M
BD16 45 .. M

BDS68 20 .. M
BDS68 25 .. M
BD68 35 .. M
BD68 45 .. M

BDS61 20 .. M
BDS61 25 .. M

BDS16 20 .. W
BDS16 25 .. W
BD16 35 .. W
BD16 45 .. W

BDS68 20 .. W
BDS68 25 .. W
BD68 35 .. W
BD68 45 .. W

BDS61 20 .. W
BDS61 25 .. W



BDS16 20 .. WP
BDS16 25 .. WP
BD16 35 .. WP
BD16 45 .. WP

BDS68 20 .. WP
BDS68 25 .. WP
BD68 35 .. WP
BD68 45 .. WP

BDS61 20 .. WP
BDS61 25 .. WP

BDS16 20 .. K
BDS16 25 .. K
BD16 35 .. K
BD16 45 .. K

BDS68 20 .. K
BDS68 25 .. K
BD68 35 .. K
BD68 45 .. K

BDS61 20 .. K
BDS61 25 .. K

