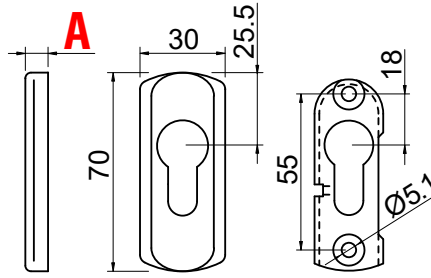
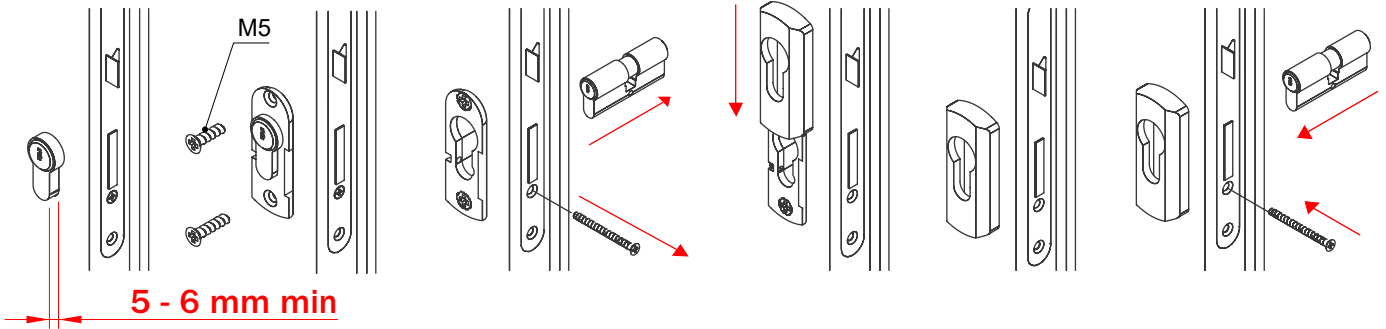




PAT. PEND.



A = 6 mm	BG8000 06
A = 8 mm	BG8000 08
A = 10 mm	BG8000 10
A = 12 mm	BG8000 12
A = 14 mm	BG8000 14



FAST-UP PROTECTION



<input checked="" type="checkbox"/> W Bianco RAL 9010 White RAL 9010	<input checked="" type="checkbox"/> N Nero Black	<input checked="" type="checkbox"/> A Champagne anodizzato Anodized champagne
<input checked="" type="checkbox"/> C Cromo lucido Bright chrome	<input type="checkbox"/> 8 PVD Nero lucido PVD Bright black	<input checked="" type="checkbox"/> 9 Oro anodizzato Anodized gold
<input checked="" type="checkbox"/> T Cromo satinato Satin chrome	<input type="checkbox"/> T8 PVD Nero antracite PVD Satin black	<input checked="" type="checkbox"/> 2 PVD Ottone PVD Brass
<input checked="" type="checkbox"/> 6 Argento anodizzato Anodized silver	<input checked="" type="checkbox"/> B Bronzo Bronze	<input checked="" type="checkbox"/> L Ottone lucido Bright brass
<input type="checkbox"/> IT Inox satinato Satin stainless steel	<input type="checkbox"/> BS Bronzo satinato Satin bronze	<input type="checkbox"/> TT Ottone satinato Satin brass

