



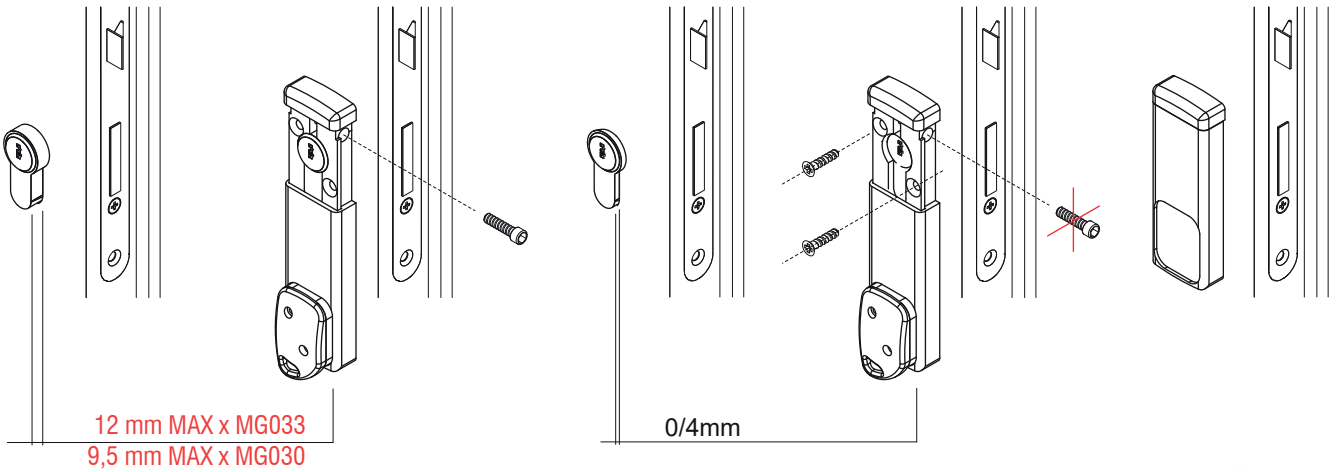
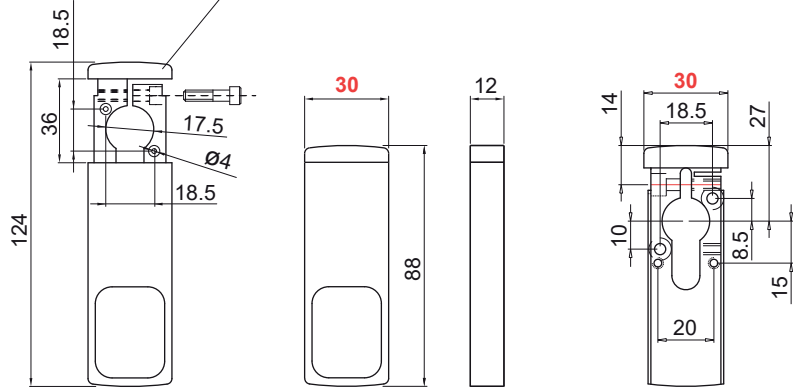
PAT. PEND.

**2 sistemi di fissaggio / 2 fixing methods**



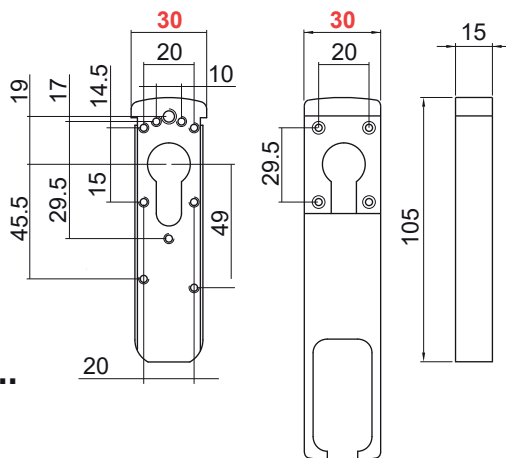
**MG030...**  
CODE

KM0025



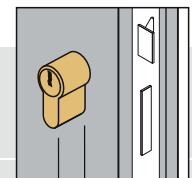
**MG033B..**

KM0P70



- |  |   |   |
|--|---|---|
| <input type="checkbox"/> W Bianco RAL 9010<br>White RAL 9010         | <input checked="" type="checkbox"/> N Nero<br>Black               | <input type="checkbox"/> A Champagne anodizzato<br>Anodized champagne |
| <input checked="" type="checkbox"/> C Cromo lucido<br>Bright chrome  | <input type="checkbox"/> 8 PVD Nero lucido<br>PVD Bright black    | <input type="checkbox"/> 9 Oro anodizzato<br>Anodized gold            |
| <input checked="" type="checkbox"/> T Cromo satinato<br>Satin chrome | <input type="checkbox"/> T8 PVD Nero antracite<br>PVD Satin black | <input checked="" type="checkbox"/> 2 PVD Ottone<br>PVD Brass         |
| <input type="checkbox"/> 6 Argento anodizzato<br>Anodized silver     | <input checked="" type="checkbox"/> B Bronzo<br>Bronze            | <input type="checkbox"/> L Ottone lucido<br>Bright brass              |
| <input type="checkbox"/> IT Inox satinato<br>Satin stainless steel   | <input type="checkbox"/> BS Bronzo satinato<br>Satin bronze       | <input type="checkbox"/> TT Ottone satinato<br>Satin brass            |

Spessori disponibili:  
Available spacers:  
3mm



Max.mm 12