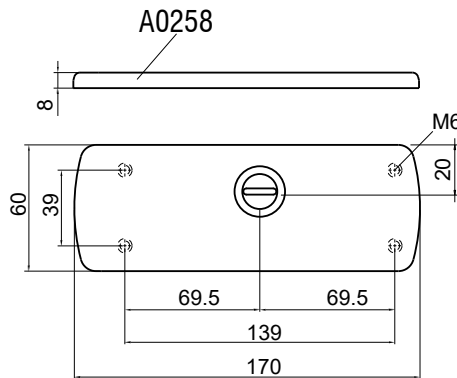
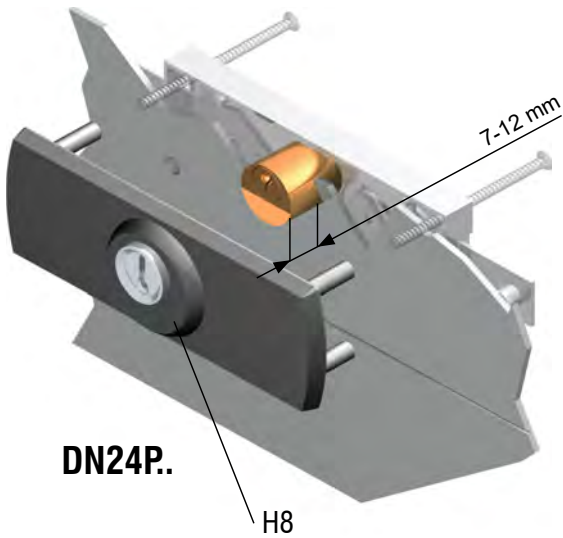


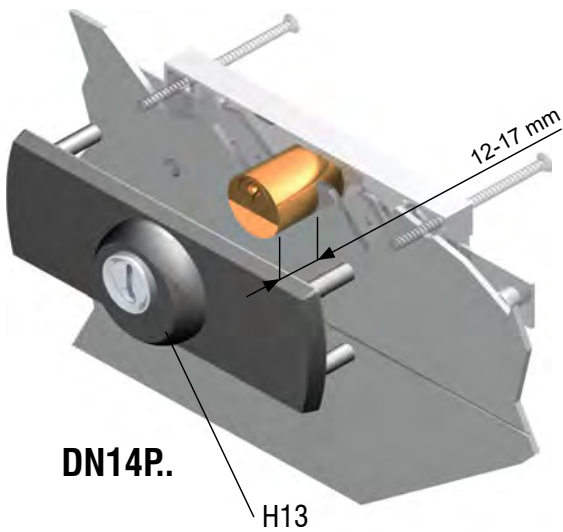
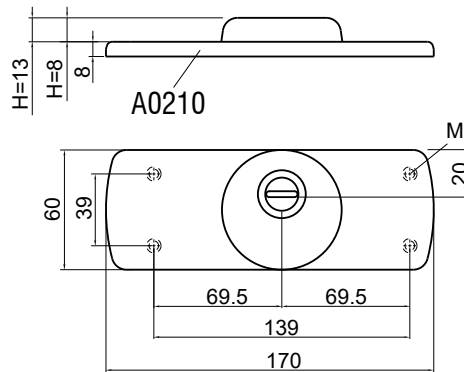
DN34P.



X FASEM
X ISEO
X PREFER
X CISA



DN24P.



DN14P.

