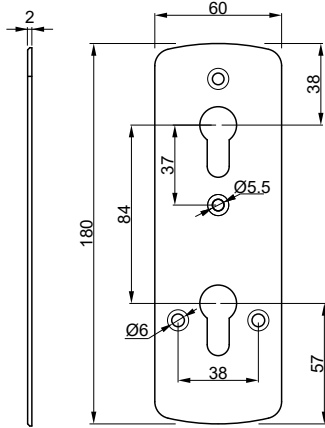
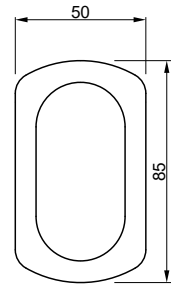




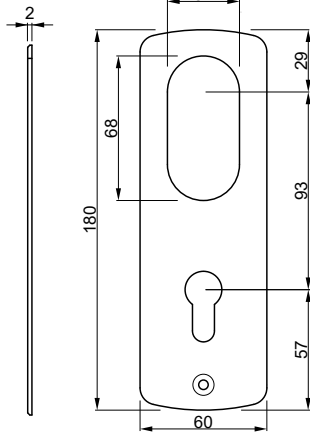
A2139
Sp. 2 mm



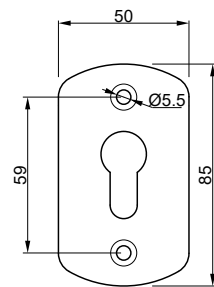
A2136



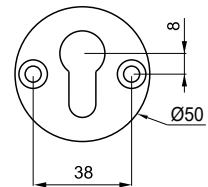
A2137
X OR14
Sp. 2 mm



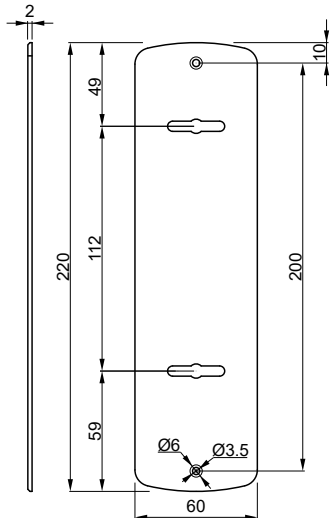
A2138



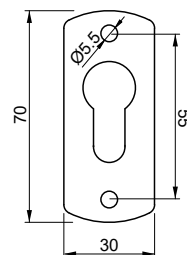
A2160
Sp. 2 mm



A2148
Sp. 2 mm

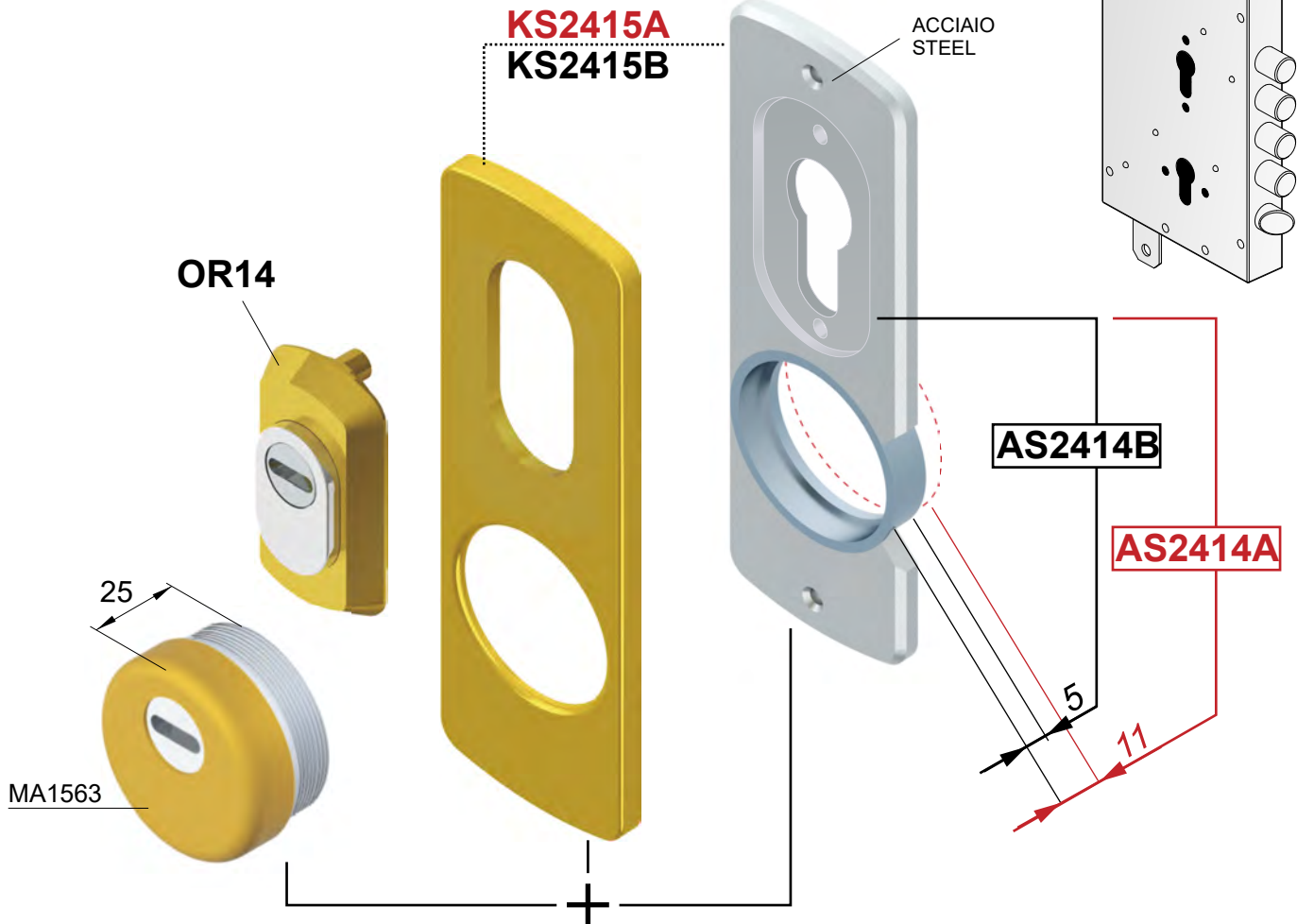
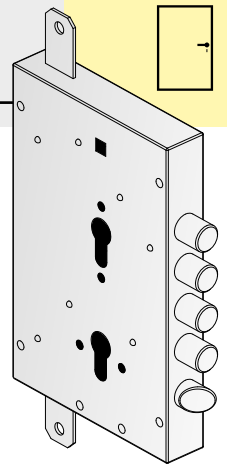


A0036 Sp. 1 mm
A0045 Sp. 2.5 mm



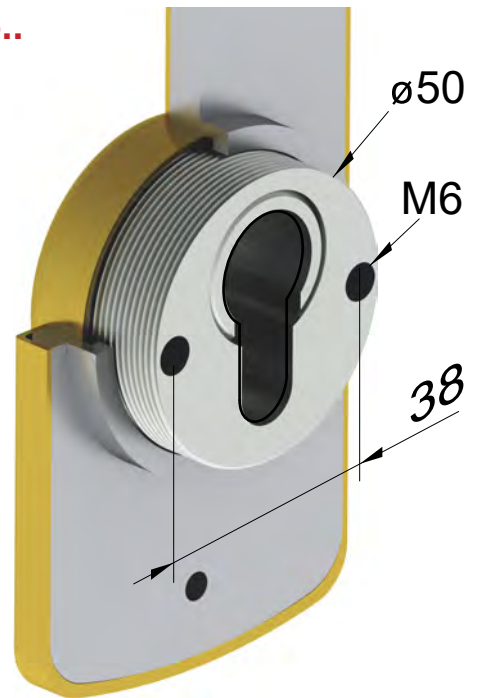
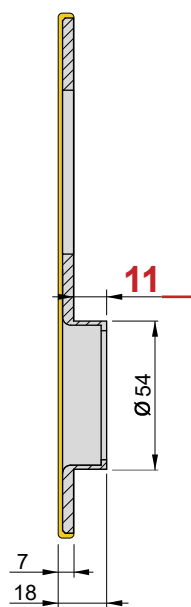
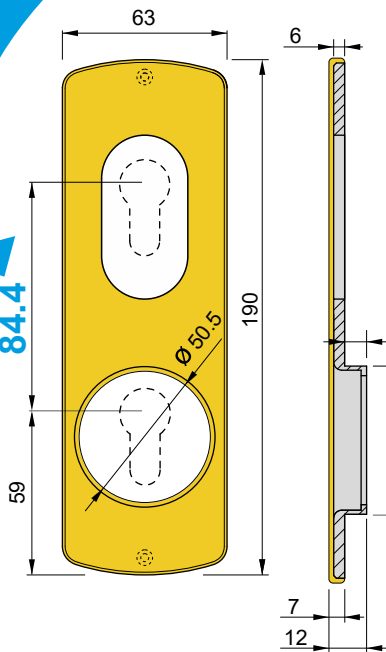
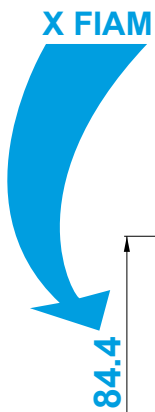
FINITURE / FINISHES

- C** Cromo lucido / Bright Chrome
- T** Inox satinato / Satin S.Steel
- B** Bronzo / Bronze
- 2** PVD Ottone / PVD Brass



KTB712-25..

KTA712-25..



FINITURE / FINISHES

- | | | | |
|--|---|---|--|
| C Cromo lucido
Bright Chrome | T Cromo satinato
Satin Chrome | B Bronzo
Bronze | OLZ Ottone Zapponato
Satin Brass |
| IT Inox satinato
Stainless steel | 2 PVD Ottone
PVD Brass | BS Bronzo satinato
Satin Bronze | |



OR14..
X FIAM



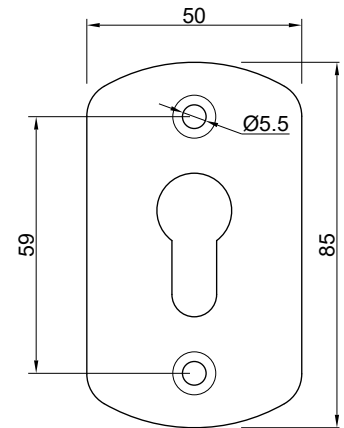
OPTIONAL



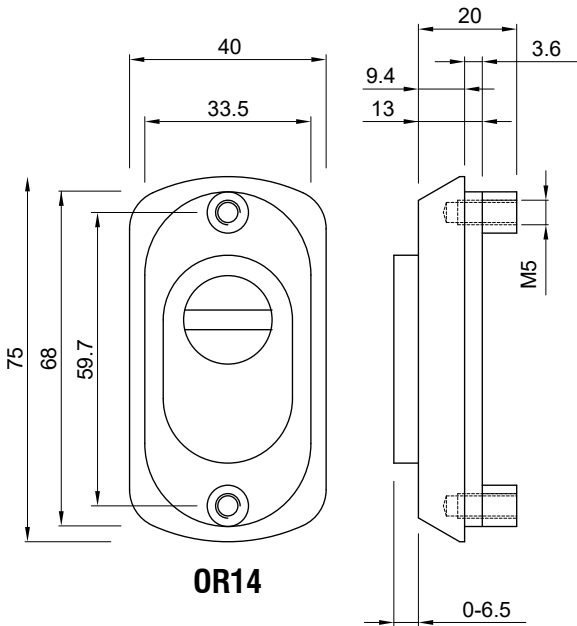
OPTIONAL



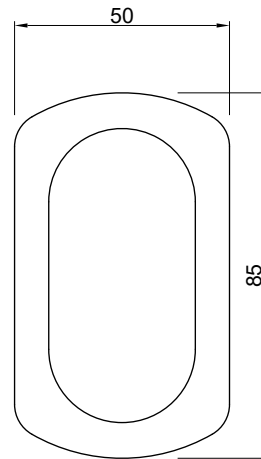
OPTIONAL



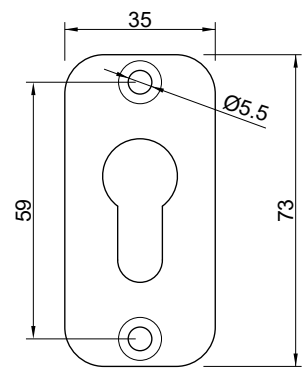
A2138



OR14

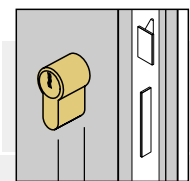


A2136



A2454

- | | | |
|---|--|--|
| <input type="checkbox"/> W Bianco RAL 9010
White RAL 9010 | <input type="checkbox"/> N Nero
Black | <input type="checkbox"/> A Champagne anodizzato
Anodized champagne |
| <input checked="" type="checkbox"/> C Cromo lucido
Bright chrome | <input type="checkbox"/> 8 PVD Nero lucido
PVD Bright black | <input type="checkbox"/> 9 Oro anodizzato
Anodized gold |
| <input checked="" type="checkbox"/> T Cromo satinato
Satin chrome | <input type="checkbox"/> T8 PVD Nero antracite
PVD Satin black | <input checked="" type="checkbox"/> 2 PVD Ottone
PVD Brass |
| <input type="checkbox"/> 6 Argento anodizzato
Anodized silver | <input checked="" type="checkbox"/> B Bronzo
Bronze | <input checked="" type="checkbox"/> L Ottone lucido
Bright brass |
| <input type="checkbox"/> IT Inox satinato
Satin stainless steel | <input type="checkbox"/> BS Bronzo satinato
Satin bronze | <input type="checkbox"/> TT Ottone satinato
Satin brass |



Max.mm 13.5