



<p><b>SG31</b> Min. 0 mm Max 5 mm</p>			
<p><b>SG15</b> Min. 5 mm Max 14.5 mm</p>	<p><b>MGSG15</b> Min. 5 mm Max 11.5 mm</p>		
<p><b>SG18</b> Min. 0 mm Max 14.5 mm</p>	<p><b>MGSG18</b> 11.5 mm Max</p>		
<p><b>SG19</b> Min. 5 mm Max 16 mm</p>			
<p><b>SG33</b> 14 mm Max</p>	<p><b>MGSG33</b> 6 mm Max</p>		
X SERR. MULTIPUNTO: CISA - ISEO - OMEC			
<p><b>BD99</b> 12 mm Max</p>	<p><b>BD100</b> 0-3 mm Max</p>		
<p><b>SG35</b> Min. 0 mm Max 14.5 mm</p>	<b>A SALDARE FOR WELDING</b>		
<p><b>GG..</b></p>	<p><b>GG0600..</b></p>		

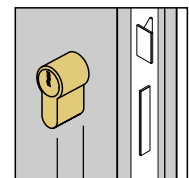
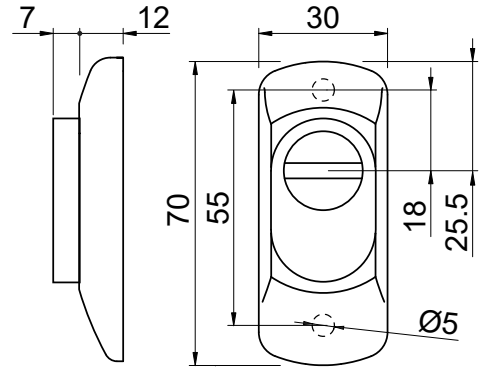


VIDEO:



**SG18**

**VITE SPECIALE  
ANTI-SVITAMENTO  
ONE WAY TAMPER  
PROOF SCREW**



Min. mm 0  
Max. mm 14,5

- W Bianco RAL 9010  
White RAL 9010
- C Cromo lucido  
Bright chrome
- T Cromo satinato  
Satin chrome
- 6 Argento anodizzato  
Anodized silver
- IT Inox satinato  
Satin stainless steel

- N Nero  
Black
- 8 PVD Nero lucido  
PVD Bright black
- T8 PVD Nero antracite  
PVD Satin black
- B Bronzo  
Bronze
- BS Bronzo satinato  
Satin bronze

- A Champagne anodizzato  
Anodized champagne
- 9 Oro anodizzato  
Anodized gold
- 2 PVD Ottone  
PVD Brass
- L Ottone lucido  
Bright brass
- TT Ottone satinato  
Satin brass



Standard  
**S1**  
3,5



Dom  
**D1**  
5



pag.

**SPESSORI  
SPACERS**



A0045  
2,5 mm



A0036  
1 mm



A0285  
2,5 mm



A0284  
1 mm