



<p>SG31 Min. 0 mm Max 5 mm</p>			
<p>SG15 Min. 5 mm Max 14.5 mm</p> <p>MGSG15 Min. 5 mm Max 11.5 mm</p>			
<p>SG18 Min. 0 mm Max 14.5 mm</p> <p>MGSG18 11.5 mm Max</p>			
<p>SG19 Min. 5 mm Max 16 mm</p>			
<p>SG33 14 mm Max</p> <p>MGSG33 6 mm Max</p> <p>X SERR. MULTIPUNTO: CISA - ISEO - OMEC</p>			
<p>BD99 12 mm Max</p> <p>BD100 0-3 mm Max</p> <p>X SERR. MULTIPUNTO: CISA - ISEO - OMEC</p>			
<p>SG35 Min. 0 mm Max 14.5 mm</p> <p>A SALDARE FOR WELDING</p>			
<p>GG..</p>	<p>GG0600..</p>		

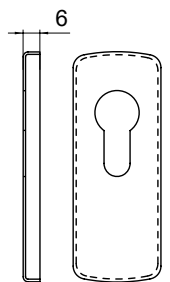
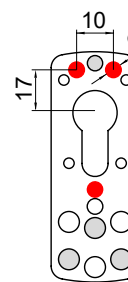
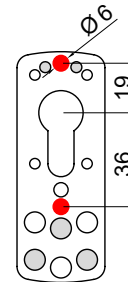
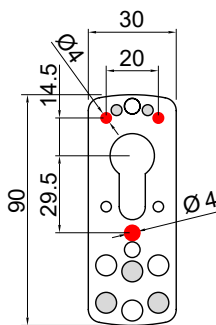
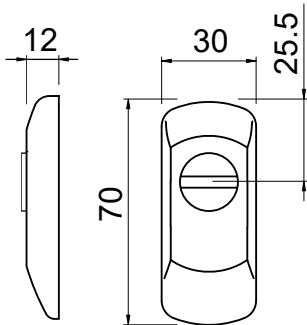
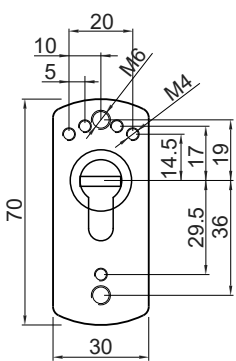
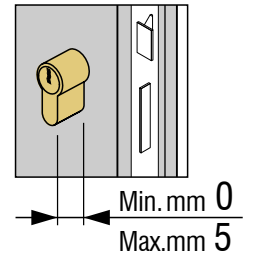
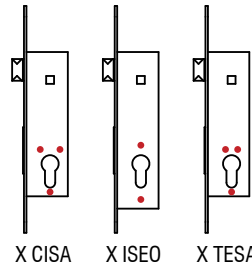
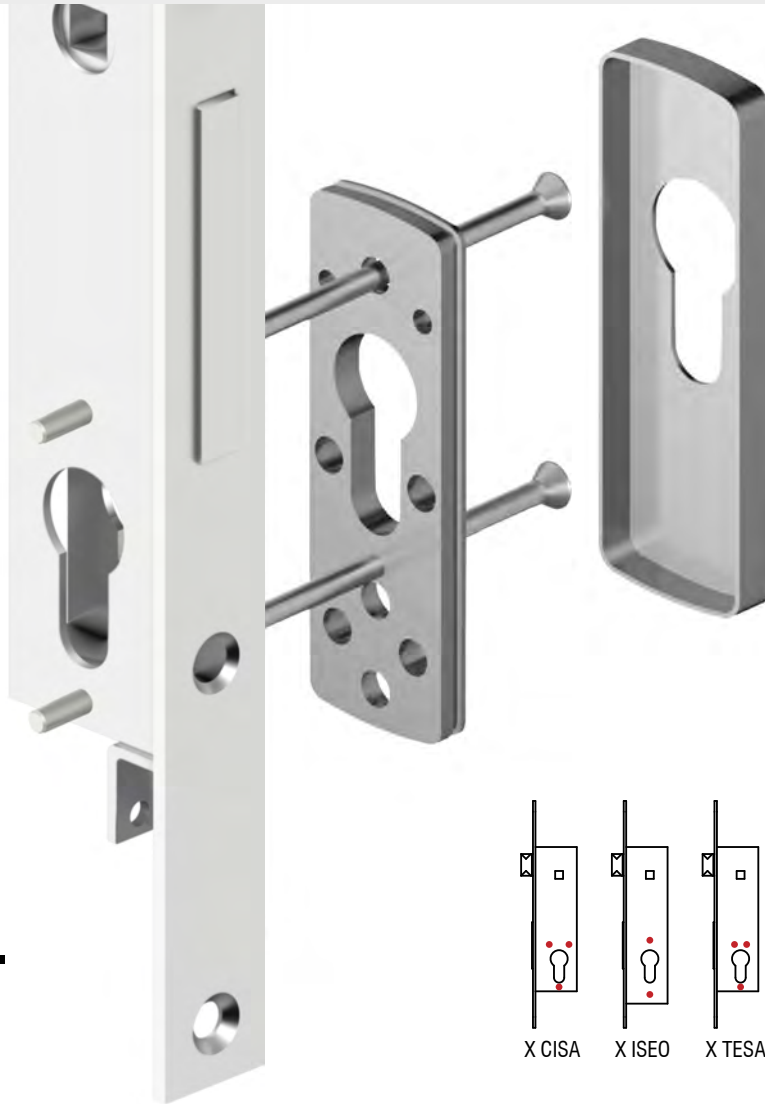


**CERTIFICATO
CLASSE 3**

**CERTIFIED
CLASS 3**



SG31..



A1353
X CISA
serie 16 / 46

A1353
X ISEO
MULTIBLINDO

A1353
X TESA
ASSA-ABLOY

A1354
92 x 32 x 7 h mm

- (W) Bianco RAL 9010
White RAL 9010
- (C) Cromo lucido
Bright chrome
- (T) Cromo satinato
Satin chrome
- (6) Argento anodizzato
Anodized silver
- (IT) Inox satinato
Satin stainless steel

- (N) Nero
Black
- (8) PVD Nero lucido
PVD Bright black
- (T8) PVD Nero antracite
PVD Satin black
- (B) Bronzo
Bronze
- (BS) Bronzo satinato
Satin bronze

- (A) Champagne anodizzato
Anodized champagne
- (9) Oro anodizzato
Anodized gold
- (2) PVD Ottone
PVD Brass
- (L) Ottone lucido
Bright brass
- (TT) Ottone satinato
Satin brass



**SPESSORI
SPACERS**

