







Date: 03/12/21

Time: 21:00

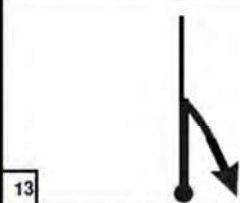
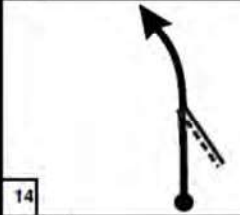
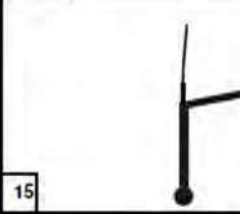

Addendum N° 5 : Change in roadbook (3 pages)

Document: 1

From: The Clerk of the Course  
 To: All Competitors  
 The Timekeepers

DISTANCE		ILLUSTRATION	INSTRUCTION	DEGR.
TOTAL	PARTIAL			
		 START RT 08 ESCHWEIDE START RT 09 KRINKELT		
		KM 25,38    TIME 00 h 31    PAGE 10		
		TC 07 > TC 08 N658 73.72 Km - 1h51		
18,30	5,27		and S.O.M.R.	7,08
19,35	1,05		and S.O.M.R.	6,03
<del>19,35</del>	<del>0,00</del>		!	6,03
			First tree	



RT N°		NAME	KM	TC 09 > TC 10 ZELT	KM	TIME	PAGE
12		AUEL	4,78	84.87 Km - 2h23	7,07	00 h 11	53
DISTANCE		ILLUSTRATION	INSTRUCTION	DEGR.			
TOTAL	PARTIAL						
2,89	0,72			4,18			
4,26	1,37			2,81			
4,69	0,43			2,76			
<del>4,31</del>	<del>0,05</del>		Electric box				



DISTANCE		ILLUSTRATION	INSTRUCTION	DEGR.
TOTAL	PARTIAL			
<b>START TCS 31 TEUVEN 2</b> <b>START RT 18 VAALS</b>				
		<b>TC 14 &gt; TC 15 KELMIS</b> 57.03 Km - 1h23		
0,00	0,00	 1	Start TCS 31 TEUVEN 2	8,24
1,25		 B 2	<div style="border: 1px solid black; background-color: yellow; padding: 2px; display: inline-block;">Sippenaeken</div> Point B on map 5	
1,36		 3	Tree with red dot <b>IDEAL TIME 1'40"</b> Finish TCS 31 TEUVEN 2 and S.O.M.R.	
<del>0,00</del>	<del>0,00</del>	 4	<div style="border: 1px solid red; padding: 5px; display: inline-block;">Don't restart the tripmeter</div>	

Eric CHAPA  
Race Director