

DATUM/DATE: 8-3- 2022

TIJD/TIME: 23:00

Bulletin/Bulletin: No. 2

Document no: 1.2

VAN/FROM: Wedstrijdleider / Clerk of the Course
AAN/TO: Alle deelnemers / All Competitors

Wijzigingen Routeboek Etappe 1 / Changes to the Roadbook Leg 1

Page/Pagina 8 – lokatie van TC's gewijzigd / location of TC's changed



Pagina / Page 13 – tekening 19 en 20 / drawing 19 and 20

92.94	0.53		19	Oslokade	0.00
93.43	0.49		20	 TC 0A Remote service IN 52°34'36.6"N 5°52'13.9"E	

Pagina / Page 14 – tekening 1, 2 en 3 / drawing 1, 2 and 3

0.00	0.00		1	 TC 0A Remote Service IN 52°34'36.6"N 5°52'13.9"E Hoeben Metalen	0.00
0.00	0.00		2	 TC 0B Remote Service OUT 52°34'36.6"N 5°52'13.9"E	0.00
			3		

Pagina / Page 15 – tekening 1 en 2 / drawing 1 and 2

0.00	0.00		1	 TC 0B Remote Service OUT 52°34'36.6"N 5°52'13.9"E	19.68
0.49	0.49		2	 !! CAUTION !!	19.19

Jack's Int. Drenthe Pro Rally – Jack's Int. Drenthe Rally

Pagina / Page 31 – tekening 15 en 16 (extra) / drawing 15 and 16 (added)

9.21	0.53		15	Oslokade	0.49
9.70	0.49		16	TC 3A Remote service IN 52°34'36.6"N 5°52'13.9"E	0.00

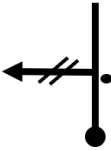

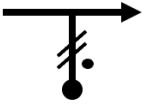

Pagina / Page 32 – tekening 1, 2 en 3 / drawing 1, 2 and 3

0.00	0.00		1	TC 3A Remote Service IN 52°34'36.6"N 5°52'13.9"E	0.00
0.00	0.00		2	TC 3B Remote Service OUT= Regroup IN 52°34'36.6"N 5°52'13.9"E	0.00
			3		

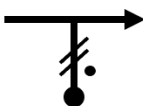


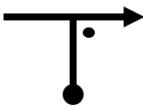

Pagina / Page 49 – tekening 15 en 16 (extra) / drawing 15 and 16 (added)

9.21	0.53		15	Oslokade	0.00
9.70	0.49		16	TC 6A Remote service IN 52°34'36.6"N 5°52'13.9"E	-0.49

Pagina / Page 50 – tekening 1, 2 en 3 / drawing 1, 2 and 3

0.00	0.00		1	 <p>TC 6A Remote Service IN 52°34'36.6"N 5°52'13.9"E Hoeben Metalen</p>	0.00
0.00	0.00		2	 <p>TC 6B Remote Service OUT 52°34'36.6"N 5°52'13.9"E</p>	0.00
			3		

Pagina / Page 51 – tekening 1 en 2 / drawing 1 and 2

0.00	0.00		1	 <p>TC 6B  Remote Service OUT 52°34'36.6"N 5°52'13.9"E</p>	98.34
0.49	0.49		2	 !! CAUTION !!	97.85

Wedstrijdleider / Clerk of the Course

Jan Seinen