



DAKAR
2022



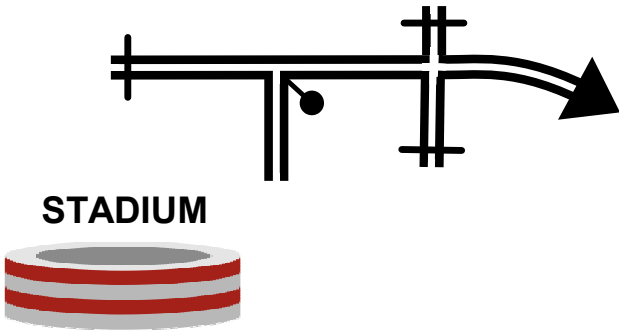
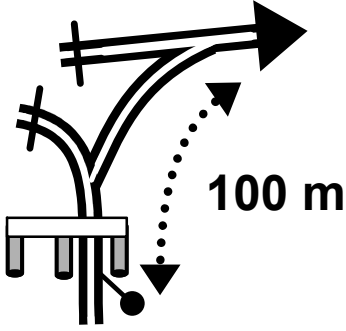
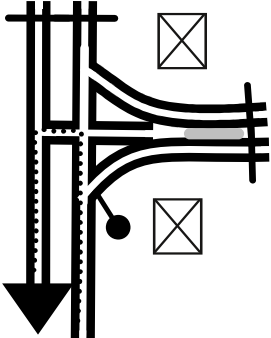
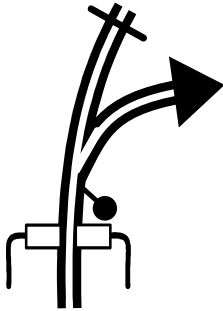

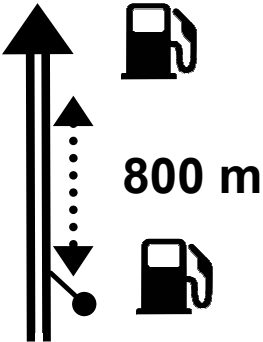
SAUDI ARABIA

SATURDAY 1ST JANUARY 2022

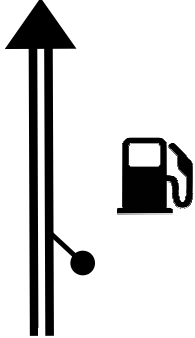
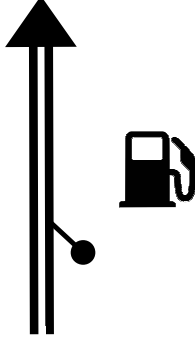
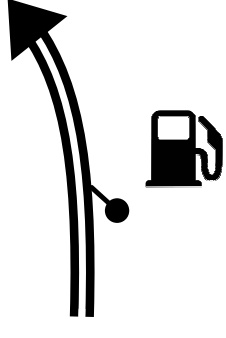
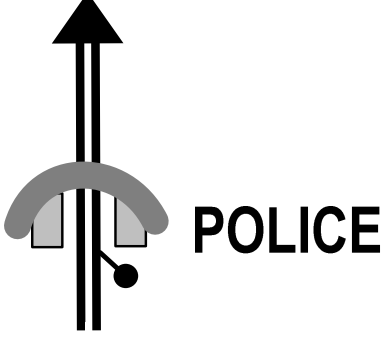
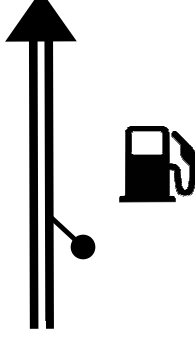
JEDDAH
▶ HA'IL

ROADBOOK
TRANSFERT

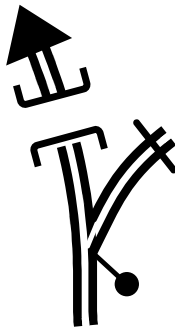
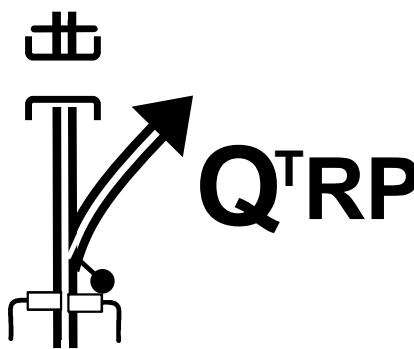
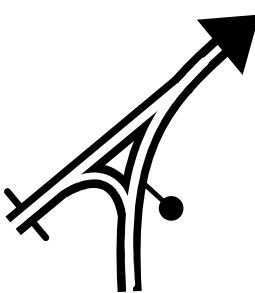
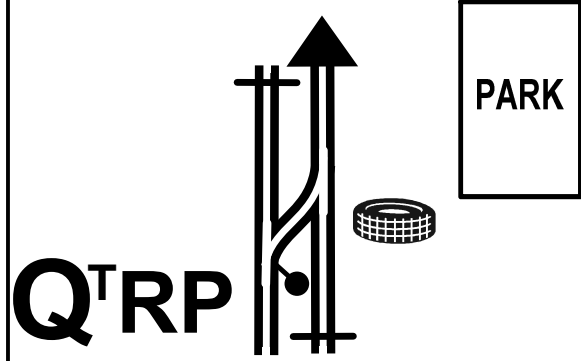
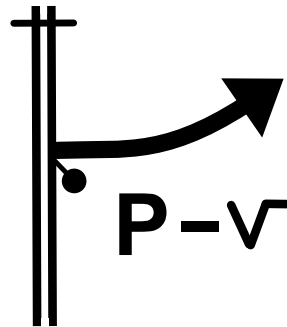
CAR SSV TRUCK

| 1 | LIAISON / STADE / DSS | Km : 224,77 |
|------|---|---|
| 0,00 |  <p>STADIUM</p> | |
| 0,00 | | |
| 0,35 |  <p>100 m</p> | |
| 0,35 |  | "U" TURN |
| 0,35 | | |
| 1,75 |  |  AL MADINAH ET FRO |
| 1,05 | | |
| 5,28 |  <p>800 m</p> | |
| 3,53 | | |

Next 9,75

| 2 | LIAISON / STADE / DSS | Km : 224,77 |
|---|--|---|
| <p data-bbox="95 210 422 331">15,03</p> <p data-bbox="70 405 272 504">9,75</p> |  | |
| <p data-bbox="95 602 422 723">17,98</p> <p data-bbox="70 797 272 896">2,95</p> |  | |
| <p data-bbox="95 996 422 1117">22,42</p> <p data-bbox="70 1191 272 1290">4,44</p> |  | |
| <p data-bbox="95 1391 422 1512">26,65</p> <p data-bbox="70 1585 272 1684">4,23</p> |  | <p data-bbox="1173 1487 1551 1536">CHECK POINT</p> |
| <p data-bbox="95 1785 422 1906">52,45</p> <p data-bbox="41 1980 296 2078">25,80</p> |  | |

Next 9,17

| 3 | LIAISON / STADE / DSS | Km : 224,77 |
|-----------------------------------|--|--|
| <p>61,62</p> <p>9,17</p> |  | <p>➔ YAMBU ET TJS</p> <p>➔ YAMBU</p> |
| <p>172,55</p> <p>110,9</p> |  | <p>➔ 983 AN NASAYIF</p> |
| <p>173,30</p> <p>0,75</p> |  | |
| <p>222,47</p> <p>49,17</p> |  | <p>PARK DE DECHARGEMENT</p> |
| <p>223,89</p> <p>1,42</p> |  | <p>77 A</p> |

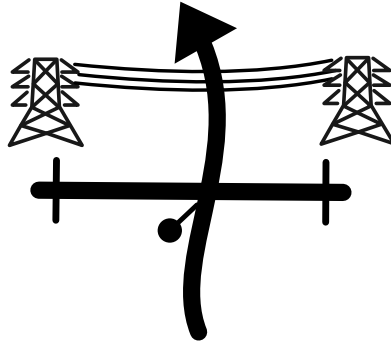
Next 0,74

4

LIAISON / STADE / DSS

Km : 224,77

224,63



0,74

Next