



2022

A background image showing a rally car driving through a snowy, icy terrain, kicking up a large cloud of snow and ice. The scene is captured in a dynamic, low-angle shot, emphasizing the speed and intensity of the sport.

**SUPPLEMENTARY
REGULATIONS**

Index

1 INTRODUCTION	3
2 ORGANISATION	3
3 PROGRAMME	6
4 ENTRIES	9
5 INSURANCE	12
6 ADVERTISING AND IDENTIFICATION	12
7 TYRES	13
8 FUEL	14
9 RECONNAISSANCE	15
10 ADMINISTRATIVE CHECKS	16
11 SCRUTINEERING	17
12 OTHER PROCEDURES	20
13 IDENTIFICATION OF OFFICIALS	24
14 PRIZES	24
15 FINAL CHECKS AND PROTESTS	25
APPENDIX 1 - ITINERARY	26
APPENDIX 2 - RECONNAISSANCE SCHEDULE	30
APPENDIX 3 - COMPETITORS RELATIONS OFFICERS	31
APPENDIX 4 - COMPETITION NUMBERS AND ADVERTISING	32
APPENDIX 5 - DRIVERS' SAFETY EQUIPMENT - FIA ISC, Appendix L	33
APPENDIX 6 - FIA WRC TRACKING SYSTEM - INSTALLATION AND OPERATING INSTRUCTIONS	34
APPENDIX 7 - STUDED TYRES	35
APPENDIX 8 - ONLINE FUEL ORDER PROCEDURE	36

1 INTRODUCTION

This rally will be run in compliance with the FIA International Sporting Code and its appendices, the 2022 FIA World Rally Championship Sporting Regulations, the National Sporting Regulations which comply with the FIA regulations and these Supplementary Regulations. Modifications, amendments and/or changes to these Supplementary Regulations will be announced only by numbered and dated Bulletins (issued by the organiser or the Stewards).

Additional information will be published in Rally Guide 2, issued on 27 January. The 2022 FIA World Rally Championship Sporting Regulations can be found at www.fia.com.

1.2 Road Surface

Snow, ice and/or frozen gravel.

1.3 Itinerary

SS distance: 303,74 km

Total distances: 1329,04 km

2 ORGANISATION

2.1 FIA titles for which the rally counts

FIA World Rally Championship for Drivers and Co-Drivers

FIA World Rally Championship for Manufacturers

FIA World Rally Championship for Teams

FIA WRC2 Open Championship for Drivers and Co-Drivers

FIA WRC2 Junior Championship for Drivers and Co-Drivers

FIA WRC2 Championship for Teams

FIA WRC2 Masters Cup for Drivers and Co-Drivers

FIA WRC3 Open Championship for Drivers and Co-Drivers

FIA WRC3 Junior Championship for Drivers and Co-Drivers

FIA WRC3 Championship for Teams

2.2 Visa numbers - FIA and ASN

Swedish ASN visa no: RY-14

FIA visa no: TBD

2.3 Organisers name and contact details

Rally Sweden AB

Address:

Lantvärnsgatan 4

SE-652 21 Karlstad

Telephone:

+46 (0)54 10 20 25

E-mail:

mailbox@rallysweden.com

entry@rallysweden.com (entry related matters)

Web site:

www.rallysweden.com

2.4 Organising committee

Göran Andersson, Anna Rönnle, Kicki Axelsson, Krister Berglund, Stefan Claesson, Hasse Joansson, Stig Rune Kjærnsli, Adam Magnusson, Johan Magnusson, Glenn Olsson, Lisa Henriksson, Magnus Östlund, Ann-Louise Pettersson, Thorsten Egonsson

2.5 Stewards

Chairperson (appointed by the FIA): Mr. Mathieu REMMERIE (BEL)

FIA Steward: Ms. Emilia ABEL (EST)

ASN Steward: Mr. Bo SWANER (SWE)

Secretary to the Stewards: Ms Yvonne GILLI

2.6 FIA Delegates

FIA Sporting Delegate: Mr. Timo RAUTIAINEN

FIA Safety Delegate: Ms. Michèle MOUTON

FIA Deputy Safety Delegate Mr. Nicolas KLINGER

FIA E-Safety Delegate Mr. David RYAN

FIA Technical Delegate: Mr. Jérôme TOQUET

Deputy Technical Delegate: Mr. Karmo UUSMAA

FIA Assistant Technical Delegate Mr. Emanuele SAGLIA

FIA Assistant Technical Delegate Mr. Lionel BERARD

FIA Assistant Technical Delegate Mr. Mohand ABDELMOULA

FIA Assistant Technical Delegate Mr. Benjamin CARON

FIA Assistant Technical Delegate Mr. Bruno MARTINEZ

FIA Medical Delegate Dr. Cem BONEVAL

FIA Media Delegate: Ms. Vera DUSSAUSAYE

2.7 Senior Officials

General Manager: Glenn Olsson

Clerk of the Course: Stig Rune Kjærnsli

Deputy CoC/ Route Manager Johan Magnusson

Assistant CoC/ Service Park Manager: Adam Magnusson

Assistant CoC Roland Mikro Åström

Secretary of the rally: Göran Andersson

Assistant Secretary of the rally: Vera Bakke Andresen

Chief Medical Officer: Dr. Thorsten Egonsson

Deputy Chief Medical Officer: Dr. Ulf Tingnert

Chief Safety Officer: Magnus Östlund

Assistant Safety Officer: Hasse Joansson

Assistant Safety Officer: Tomas Locken

Assistant Route Officer: Krister Berglund

Chief Scrutineer: Anna Rönnle

Assistant Chief Scrutineer: Håkan Andersson

Results Officer: Kicki Axelsson

National Press Officer: Patrick Johansson

Deputy National Press Officer: Hans Bäckström

Helicopter Coordinator: Tomas Rönkvist



CLOSER TO RALLY.

2.8 HQ location

Nolia, Signalvägen 3, 903 22 Umeå, Sweden

GPS Coordinates: 63°50.050' N 20°14.425' E

Rally Office Phone: +46 (0) 54 10 20 25

E-mail:

mailbox@rallysweden.com

entry@rallysweden.com (for entry related matters)

2.9 Official Notice Board-Location

The Official Notice Board will be the Digital Notice Board available on the event website:

www.rallysweden.com

There will be no physical official notice board. All competitors will be informed by Email/WhatsApp about the publication of any documents on the digital notice board.

Additionally, rally documents will also be available in the Sportity app (downloadable for iOS devices on Appstore and for Android devices on Google Play): Password is **WRCSWE22**

2.10 General / Communication

During the event, individual and general communication between all rally officials (rally control/CoC, rally secretariat, CRO, Stewards, technical staff etc.) and the competitors/crew members will primarily and as far as possible be conducted electronically (Cellphone, Email, Sportity, WhatsApp).

For this purpose, each competitor is required to nominate one official representative, who shall be authorised for the purpose of receiving any official notifications. As some of these notifications can be issued while rally cars are on stages, this person can neither be the driver nor the co-driver. This person should be a team representative who will be based in the service park during the event.

This contact must be notified before **Monday 14th February 2022**. Any confirmation of receipt, if required, must mandatorily also be returned by this contact to The Assistant Secretary of the Rally: Vera B. Andresen, Phone / WhatsApp: +47 419 05 454, e-mail:

vera@rallysweden.com

3 PROGRAMME

3.1 Schedule before the rally week

Monday 20 December 2021	
Opening date for media accreditations	Website
Friday 24 December 2021	
Supplementary Regulations published Entries open	Website https://registrations.fia.com/wrcswe
Opening date for Helicopter registration	Website
Monday 24 January 2022	
Closing date for entries, closing date for co-driver details Deadline for Administrative checks, first part (sending required documents)	entry@rallysweden.com entry@rallysweden.com
Closing date for Pirelli Tyre Orders. All 4WD competitors Closing date for FIA fuel orders. All competitors	TBA https://bit.ly/3wChFTe
Thursday 27 January 2022	
Road Book, Rally Guide 2 and route map available	Web
Friday 28 January 2022	
Publication of entry list	Website
Wednesday 2 February 2022	
Closing date for National media accreditation	
Sunday 6 February 2022	
Closing date for helicopter registration	Website
Wednesday 9 February 2022	
Closing date for International media accreditation Closing date TV and international radio accreditation Closing date for order of Service Park facilities Closing date for order of extra material and documents Media Safety Book published Closing date of applications for reconnaissance only	FIA WRC Promotor Website Website Website Website

3.2 Schedule during the rally week

Thursday 17 February 2022		
12:00 - 17:00	Service Park opens for Manufacturers. Exit through gate is possible until 22:00 every night. Deadline for all drivers and co-drivers to have completed the FIA e-learning course on the FIA Safety Tracking system	Service Park
Friday 18 February 2022		
09:00 - 17:00	Service Park opens for Manufacturers	Service Park
Saturday 19 February 2022		
09:00 - 17:00	Service Park opens for Manufactures	Service Park
Sunday 20 February 2022		
09:00 - 17:00	Service Park opens for Manufacturers and priority competitors	Service Park
Monday 21 February 2022		
08:00 - 17:00	Service Park open for Manufacturers and priority competitors	Service Park
09:00	Rally Office Umeå opens (by appointment)	Rally HQ
Latest 21:00	Reconnaissance registration submitted (by all drivers)	entry@ rallysweden.com
15:00 - 20:00	Administrative checks, second part and collection of materials. (One representative per Team. Individual times will be allocated).	Rally HQ
16:00 - 20:00	Collection of Tracker System for reconnaissance	SAS Truck, SP
Tuesday 22 February 2022		
08:00 - 17:00	Service Park open for all competitors	Service Park
07:00 - 16:00	Reconnaissance of special stages	Recce schedule
14:00	Media accreditation and Media Centre opens	Media Center
14:00	Collection of FIA WRC Safety Emergency System at SAS workshop	SP, SAS Truck

Wednesday 23 February 2022		
07:00 - 16:00	Reconnaissance of special stages	Recce schedule
08:30 - 12:00	Scrutineering incl. sealing and marking for Manufacturers' P1.	Service Park
14:00 - 22:00	Scrutineering incl. sealing and marking for other competitors	Opus
17:00 - 19:00	Return of reconnaissance trackers	SP, SAS Truck
16:00 - 18:00	Team Managers Meeting (by invitation)	By video conf.
16:00	FIA Photographers safety briefing	Media Centre
17:00	Publication of Start List for Shakedown (P1 & requested drivers)	ONB
17:00	Publication of Start List for Ceremonial start	ONB
18:00 - 19:00	Selected drivers' PR event	Umeå
19:00 - 19:30	Mandatory Drivers' Safety Briefing	By video conf.
Thursday 24 February 2022		
09:01 - 10:00	Shakedown P1 + and other drivers as requested	Umeå
10:01 - 11:30	Shakedown P1 + P2	Umeå
11:01 - 12:30	Shakedown P2 + P3 + P4	Umeå
12:00 - 13:30	Shakedown P3 + P4 + Non-Priority	Umeå
12:30	FIA Meet the crews Press Conference	SP
13:00	FIA Pre-Event Press Conference	Media Centre
15:00	Publication of Start List Section 1	ONB
18:15	Autograph signing	Umeå
19:00	Helicopter Pilots Briefing	TBA
20:00	Opening Ceremony of the Rally	Umeå
22:00	Accreditation desk closes	Media Centre
Friday 25 February 2022		
07:50	Start of Section 1	
TBA	FIA End of day press conference	Service Park
21:00	Publication of Start List Section 3	ONB
Saturday 26 February 2022		
07:10	Start of Section 3	
TBA	FIA End of day press conference	Service Park
21:00	Publication of Start List Section 5	ONB

Sunday 27 February 2022		
05:30	Start of Section 5	Umeå City Center Umeå Media Centre SAS Truck, SP ONB
14:00 onwards	Podium Ceremony and Prize Giving	
15:00	Final Scrutineering	
16:00	FIA Post-Event Press Conference	
16:30	Return of the FIA Safety Emergency Console	
Before 18:00	Publication of Provisional Classification	
20:00	All cars must be removed from the final Parc Fermé (Provided that the Stewards have authorized the opening of the Parc Fermé)	

3.3. Opening hours HQ and Media

Opening hours		Rally HQ	Media accreditation	Media Centre
Monday	21 February	09:00 - 20:00		
Tuesday	22 February	08:00 - 20:00	14:00 - 20:00	14:00 - 20:00
Wednesday	23 February	07:00 - 20:00	08:00 - 21:00	08:00 - 21:00
Thursday	24 February	07:00 - 22:00	08:00 - 22:00	08:00 - 22:00
Friday	25 February	06:30 - 22:00		07:50 - 22:00
Saturday	26 February	06:30 - 22:30		07:25 - 22:00
Sunday	27 February	06:00 - 20:00		05:45 - 23:00

4 ENTRIES

4.1 Closing date for entries

The closing date for entries is **Monday 24 January at 23:59(CET)**.

4.2 Entry Procedure

Those wishing to take part in Rally Sweden 2022 must register and fill in the electronic entry form published at <https://registrations.fia.com/wrcswe> duly completed before the closing date for entries. The entry will only be accepted if accompanied by the total amount of the Entry Fee. To be accepted, competitors must send a proof of payment of the entry fee by e-mail with the VAT-number of the company (if paid by such) to the assistant secretary of the event (entry@rallysweden.com) by the closing date of entries. Foreign drivers must submit an approval from their ASN in the same e-mail.

Manufacturers, WRC2 and WRC3 competitors who wish to score points, must make their entries by using the electronic standard rally entry form for their championships available in the FIA application at <https://registrations.fia.com/rally>.

4.3 ENTRY FEES

4.3.1 Manufacturer and other Championship competitors

Entry fees for Manufacturers, WRC, WRC2 and WRC3 Teams registered in the World Rally Championship as stipulated by the FIA, with local VAT added (6%).

4.3.2 Other Legal competitors

Legal competitor = The competing car entered by a team (not a Championship competitor), a company or other legal entity (with competitors licence).

Entry fee: **59 000 SEK + 6 % VAT**

4.3.3 Private competitor

Private competitor = The competing car is entered by the driver or the co-driver.

Entry fee: **39 000 SEK + 6 % VAT**

4.3.4 Private competitor from Sweden

Non-priority drivers from Sweden, with the car entered by the driver or the co-driver

Entry fee: **25 000 SEK + 6 % VAT**

4.3.5 Reconnaissance Only

Fee for reconnaissance only: **12 500 SEK + 6 % VAT**

4.3.6 Payment details

The entry fee must be paid to the following bank account:

Payment in Sweden:	Bankgiro 5070-5169
Payment from abroad: IBAN:	SE85 80000 8156 29 03 0406 772
SWIFT:	SWEDSESS
Account holder:	Rally Sweden AB
Address to the bank:	SWEDBANK, SE-105 34 Stockholm, Sweden

Note! Please mark the payment with the driver's last name.

Send a proof of payment of the entry fee by e-mail to the secretary of the rally (entry@rallysweden.com) by the closing date of entries.

4.3.7 Refunds

Entry fees will be refunded in full:

- a) to candidates whose entry has not been accepted.
- b) in case of the rally not taking place.

The organisers may refund part of the entry fee to those competitors who, for reason of "force majeure" (duly certified by their ASN), are unable to start in the rally. This must be applied for in writing giving the reason for claim including bank and account details.

4.4 Eligible Cars

According to Art 12.4 of the 2022 FIA WRC Sporting Regulation.

4.5 Entry Packages

The entry packages for FIA Championship competitors will be as stipulated by the FIA in the 2022 FIA WRC Sporting Regulations Appendix VI.

Entry packages for legal and private competitors:

	Legal Competitors	Private Competitors
Service Park area approx.	10 x 8 m	10 x 8 m
Car plates		
Service plate	2	2
Auxiliary plate	1	0
Passes		
Team passes	10	6
Documents		
Supplementary Regulations	available only at www.rallysweden.com	
Road Book sets	3	1
Route Maps	3	1
Official Magazine / Programme	3	1
Rally Guide 1	available only at www.rallysweden.com	
Rally Guide 2	available only at www.rallysweden.com	
Results	available only at www.rallysweden.com	

4.6 Documents required for Administrative Checks

When sending your online registration entry form to FIA, please remember to also send the following documents to entry@rallysweden.com. The entry application will only be accepted if accompanied by:

- Proof of payment of the total amount of entry fees.
- Scanned pdf copies of the Competitor and Driver and Co-driver Competitions licences
- Scanned pdf copies of the Driver and Co-driver passports or Identity cards.
- Scanned pdf copies of the Driver and Co-driver driving licences.
- One passport photo for driver and co-driver.
- Scanned pdf copies of the page of the car homologation form for the entered car indicating number, group and cylinder capacity.
- Scanned pdf copies of the car's registration papers.
- Scanned pdf copies of the insurance cover (third parties) for the rally car (Green Card).
- Scanned pdf copies of the insurance cover for repatriation (non-Swedish crews).
- ASN authorisation, where applicable.
- Scanned pdf copy of the entry form duly signed.

By sending an electronic form, the competitor and crew undertakes to abide by the rules and regulations of the competition, as well as the prescriptions of the FIA WRC, Art. 22.5

According to Article 3.9.4 of the Code, foreign competitors (drivers and co-drivers) need to present their ASN (National Sporting Authority) authorisation giving permission to participate in the Rally Sweden 2022.

5 INSURANCE

Eligible for the rally including Shakedown

5.1 Traffic Insurance

All cars participating in the rally must have a valid obligatory traffic insurance towards third parties. In Sweden, the "Green Card" (International Motor Insurance Card) system is applied. For cars coming from countries outside the Green Card system and EEA-countries, a Nordic frontier insurance must be taken at the border. Traffic insurance guarantee competitor's cover for civil responsibility towards third parties on road sections. The organiser will issue third party insurance cover for foreign registered cars valid on special stages (incl. shakedown).

5.2 Insurance amounts

Maximum compensation in case of damage is SEK 300 000 000.

Maximum compensation regarding organiser liability insurance is SEK 10 000 000 .

5.3 Limitation of Indemnity

The organiser declines any liability concerning the consequences caused by any fraudulent action taken by the competitor, may this be against the rules and regulations of the rally or against the laws of the country.

Any service vehicles or reconnaissance cars, even those bearing the official identification of the organizer, may under no circumstances be considered as official participants of the rally, hence their insurance policies remain the sole responsibility of the owner.

6 ADVERTISING AND IDENTIFICATION

6.1 Restrictions

Advertising for tobacco, tobacco products and smokers' requisites is forbidden in Sweden. Advertising for alcohol is restricted by law and is not allowed on competing cars, service cars, equipment and/or clothing.

6.2 The organiser's advertising

The organiser's advertising on the doors, roof and rear window plates will be announced in a bulletin. There will be no organiser's optional advertising.

6.3 Identification

Competition numbers and rally plates according to the 2022 FIA WRC Sporting Regulation, art. 27, will be provided by the organiser. See also Appendix 4.

Numbers and plates must be affixed on the rally car before the car is brought to scrutineering and must be visible throughout the duration of the rally.

The following stickers will be affixed to the car by the scrutineers:

- At scrutineering:
A check card, size 6 cm x 6 cm (at roll-cage driver's side)
- Before start for section 1 and at the overnight parc fermé for section 3 and section 5:
A "3 minutes" - sticker (on the roof over the wind screen, co-driver's side) on cars with a start interval of 3 minutes.

7 TYRES

7.1 FIA tyre supplier for all 4WD cars

PIRELLI Pneumatici S.p.A.

Viale Piero e Alberto Pirelli n°25

I - 20126 MILANO - Italie

www.pirelli.com

Contact: Mr Terenzio Testoni

Tel: +39 335 1227136

Email: terenzio.testoni@pirellifl.com

7.2 Tyres quantities

In addition to complying with Art. 13, 14 and 15 of FIA WRC Sporting regulations, the types of tyres accepted for use during the rally a will be given in a bulletin.

Tyre used during shakedown will not count in overall quantity for the event except for WRC3 Junior.

7.3 STUDED TYRES FOR RECONNAISSANCE

Studded tyres may be used during reconnaissance. They must be in conformity with the following regulations (see also Appendix 7):

- The studs shall be solid, cylindrical and flatcut
- The length of the stud is limited to 15 millimeters
- The weight of the stud is limited to 2,5 grams
- The maximum overhang is limited to 2,0 millimetres
- The studs must be mounted into the tyre from the outside
- The number of studs must not exceed 250 per tyre
- The body of the stud must be solid

Any infringement to this rule will be reported to the Stewards, who will consider a penalty according to the International Sporting Code Art. 12.

7.4 Studded tyres during the event

Studded tyres may be used during the event. They must be in conformity with 2022 WRC Sporting Regulations Appendix V, (C) (see also Appendix 7)

- The studs shall be solid, cylindrical and flatcut
- The cross section of the studs must form a full circle at every point
- The stud is not allowed to be tubular at any point
- The body of the stud must be homogenous and is not allowed, under any circumstances to form a tube or hole.
- Maximum diameter of the flange is 9 millimetres
- Minimum diameter of the metal core in the middle of the stud is 2,5 millimeters. It must be cylindrical, homogenous and flatcut
- The length of the stud is limited to 20 millimeters
- The weight of the stud is limited to 4 grams
- The studs must be mounted in to the tyre from the outside
- The number of studs must not exceed 20 per any decimetre of the wheel circumference.

Any infringement to this rule will be reported to the Stewards, who will consider a penalty according to the International Sporting Code Art. 12.

7.4.1 Method for checking the number of studs

Measurement will be carried out with a pattern, on a non-pressured part of the tyre. The length of the pattern is 30 cm, and within the pattern there must not be more than 60 studs. If the number of studs is more than 60 in a 30 cm sections, a further check will be carried out in the next 30 cm section and the total number of studs in both sections must be maximum 120.

8 FUEL

All drivers must use FIA fuel as provided by the FIA appointed supplier, P1 RACING FUELS. See art 61 and 62 of the FIA WRC Sporting Regulations. For environmental and safety reasons, all competitors must refuel in the designated refuel zones (except as detailed in the regulations for the change of fuel tank).

8.1 Ordering procedure

The system for ordering fuel is completely online and requires a prior registration:

<https://bit.ly/3wChFTe>.

Please follow the online fuel order procedure issued by “P1 Racing Fuels” in the Appendix 8.

The cost of the fuel is € 5,95 + VAT per litre.

8.2 Closing date for ordering FIA Fuel

Closing date for ordering of FIA-fuel is **Monday 24 January 2022**.

8.3 FIA couplings

Fuel couplings

All competitors are required to fit FIA specified refuel couplings.

Fuel-sample couplings

Cars of priority drivers must be fitted with FIA fuel-sample couplings.

9 RECONNAISSANCE

See also Art. 35 in the FIA WRC Sporting Regulations

9.1 Procedure for reconnaissance registration

There is no physical registration as such. The competitor must send the organiser in advance an information sheet (see Website/Rally Guide 2) including details of the reconnaissance car, mobile phone number and place where the competitor is accommodated. The form must be signed and submitted latest **Monday 24 January 2022 at 23.59 CET**.

All reconnaissance and rally materials may be collected by the nominated competitor representative, holding a written proxy and following Event Covid-19 Protocol, as follows:

Date and Time: **Monday 21 February** **15:00 - 20:00**
(Individual times will be allocated)

Location: Rally HQ, Umeå
GPS Coordinates: 63°50.050' N 20°14.425' E

Administrative checks will be carried out at the same time as registration for recce. Individual times will be allocated for the Administrative check.

Identification numbers, given at the registration shall be affixed on the car (windscreen at the top corner, co-drivers side) and kept visible for the duration of the reconnaissance period.

Participation in reconnaissance only

Any driver holding an appropriate international license but not entered in the rally may apply to take part in the reconnaissance. The regulations on reconnaissance must be respected in their entirety. A registration form for this purpose will be sent on request. The final permission for taking part in recce is left to the discretion of the organiser. An administrative fee will be charged (See 4.3.5 Reconnaissance Only).

9.2 Installation of speed control checking devices

With reference to Article 35.4.4 of the 2022 FIA WRC Sporting regulations, **all cars** must carry recce GPS trackers for speed control during reconnaissance.

Collection of Recce GPS trackers:

Date and Time: **Monday 21 February** **16:00 - 20:00** (by appointment)

Location: Rally HQ, Umeå

GPS Coordinates: 63°50.050' N 20°14.425' E

Rental costs:

P1/P2/P3 **300 € + VAT**

P4 and Non-priority **130 € + VAT**

Payment must be done online and in advance on the SAS website: <https://wrc.statusas.com/>

9.3 Specific and national restrictions

9.3.1 Passages

Crews are authorised to drive a maximum of 2 times through each special stage in accordance with the schedules given in Appendix 2. The special stages must be driven in the same direction as the rally, at a reduced speed and fully respecting the Traffic Laws. All special stages are run twice during the rally but may only be driven as one stage during recce. All passages through the special stages will be recorded by the marshals. Timecards will not be used.

9.3.2 Speed limits

Maximum speed allowed during reconnaissance is 70 km/h on special stages, unless another speed limit is indicated by traffic signs or by written instructions in the Road Book (or in bulletins). All crews are reminded of Art. 34.2 in the 2022 FIA WRC Sporting Regulations.

9.3.3 Tyres

For reconnaissance tyre regulations see Art. 7.2 and Art 7.3.

10 ADMINISTRATIVE CHECKS

Administrative checks will be done online, before the event and without contact between competitors and organiser representatives.

Notwithstanding the 2022 WRC Sporting Regulations, Art. 30.1, drivers and co-drivers are not required to report personally to the administrative checks.

Each Competitor shall nominate in advance to the Organiser one authorised representative to complete (if necessary) administrative checks, but the principle is that the contact is only for Collection of Rally material and Documents before the rally.

10.1 Documents to be presented

All competitors must send all required documents as per these regulations to organiser. The following will be checked at the administrative check (documentation must be submitted in advance):

- Scanned pdf copy of the entry form duly signed.
- Valid Competitor license
- Valid Driver's and co-driver's competition licenses
- Valid Driver's and co-driver's driving licenses
- Valid Driver's and co-driver's passports or identification
- ASN authorisation for all foreign competitors and/or drivers
- Accuracy and completion of all details information given on the entry form
- Signatures of entry forms from all drivers
- Scanned pdf copy of Car registration papers
- Insurance cover (third parties) for the rally car (Green Card)
- Insurance cover for repatriation (non-Swedish crews)

10.2 Timetable

All Documents for Administrative Checks must be sent (entry@rallysweden.com) to the organiser latest **Monday 24 January 2022 at 23.59 CET**. Rally Office will make all administrative checks online and if the documents provided are inadequate, Rally Office will demand any missing information from competitor. After such a demand from the Rally Office, competitors are required to provide all additional information as soon as possible so that the administrative checks can be fully completed on **Monday 27 January by 15.00**. For all drivers, the collection of documents and materials will take place:

Date and Time: **Monday 21 February 15:00 - 20:00.**

Individual times will be allocated and published in a Bulletin.

Location: Rally HQ, Umeå

GPS Coordinates: 63°50.050'N 20°14.425'E

A list of times reserved will be published and competitors must abide by this.

11 SCRUTINEERING

11.1 Venue and Timetable

Manufacturers:

Date and Time: **Wednesday 23 February 09:00 -12.30**

Individual times to be confirmed in a bulletin.

Location: Service Park, Umeå.

GPS Coordinates: 63°50.050'N 20°14.425'E

Other competitors:

Date and Time: **Wednesday 23 February 14:00 - 22:00**

Individual times to be confirmed in a bulletin.

Location: OPUS Bilprovning Umeå-Västerslätt

Mätarvägen 8, Umeå

GPS Coordinates: 63°51.282'N 20°12.488'E

Note! Rally studded tyres are forbidden in the workshop at OPUS Bilprovning.

2 mechanics can follow the car to scrutineering (1 for the car and 1 for personal equipment).

In addition, 1 mechanics may follow the Service car with spare parts.

11.2 Mudflaps

Fitting of transversal mud flaps (all wheels) is mandatory in conformity with Appendix J, Art. 252.7.7.

11.3 Windows

Silvered or tinted films are allowed on rear and rear side windows only (Appendix J, Art. 253.11). Anti-shatter film must be used according to the same article. Window nets are not allowed.

11.4 Drivers safety equipment

At scrutineering competitors must produce all items of clothing including helmets and head restraints intended to be used. Condition of the equipment and compliance with Appendix L, Chapter III will be checked. Also, see Appendix 6 of SR for safety information.

COVID-19 note! The competitor representative in charge of each crew's equipment will place them on a table reserved for this purpose. After this, the scrutineer will come to the other side of the table (thus creating a natural distance of 1.5 -2 metres to the competitor representative). The competitor representative will present each piece of equipment, the scrutineer will not be touching the equipment. When the inspection has been done, the competitor representative will pack up the equipment and leave. The table in question will then be disinfected and the scrutineer will clean his/her hands with hand sanitiser.

11.5 Noise level

At any time on the road sections, the noise level must be in conformity with Appendix J. See also FIA WRC Sporting Regulations Art. 18.4

11.6 FIA Safety tracking device (FIA WRC Art. 18.2 and 53.2.1)

All competitors must make provisions in their rally cars for the installation of the FIA Safety Emergency Console System, and the system must be installed before the car is brought to scrutineering.

For installation and operating instructions see Appendix 6.

Systems may be collected either by the crew or a representative.

No deposit will be collected for the rally safety tracking equipment, but all the damage caused will be invoiced afterwards.

The FIA Safety Emergency Console System devices must be removed in the final parc fermé. They must be returned no later than **18.00 hrs on Sunday 27th February** to STATUS AWARENESS SYSTEM (SAS) at the Service Park. Should a crew retire, the equipment must be returned immediately to SAS.

11.7 Sealing (FIA WRC, Art. 16-17)

Sealing of the cars will be carried out according to FIA WRC Art. 16-17. It is reminded that sealing of the transmissions (including spare parts) with wire and tag applies to all cars (16.3.2), including non-priority drivers' cars. Therefore, all underbody protection must be removed for scrutineering, but must be kept with the car for weight checks. Car's chassis and cylinder block will also be marked (FIA WRC, Art. 31.1.6). Sealing wires must be installed according to the instructions given at a later date.

11.8 Homologation forms (FIA WRC, Art. 31.1.4)

All cars must have a complete certified homologation form (the Code, Appendix J, Art. 251.2.1.8) available at scrutineering. In addition, homologation forms for the catalytic converter and roll cage (if homologated), and any certificate for the safety fuel cell must be with the car at scrutineering.

11.9 On-board Cameras (FIA WRC, Art. 18.1)

The competitor of any car which carries an on-board camera must have the prior agreement of the Promoter. Authorised cameras will be identified by an adhesive decal and must be mounted in the car at the time of scrutineering.

The fixings of camera and camera recorder must be able to withstand a deceleration of 25 g. Competitors wishing to use a camera must supply the following information to the Promoter (accreditation@wrc.com) at least one week before the start of reconnaissance: competitor's name, car number, competitor's address and use of footage.

11.10 Preparations

The homologation form of the rally car and certificates on roll cage and fuel tank must be brought to scrutineering. The bodyshell and engine will be marked with a special device and the competitor must prepare their car (on a visible place) in order to fit a wire, a plate and a seal on the engine block.

11.11 National and specific regulations

Competing cars must be equipped with two snow shovels, two first aid kits and one reflective triangle.

12 OTHER PROCEDURES

12.1 Start order of the Rally

The Start order of the rally will be as follows:

- Ceremonial Start (Thursday): Startlist will be published 23 February
- Friday, Saturday, and Sunday: according to Art. 41.2 of the 2022 FIA WRC Sporting regulations.

12.2 Start intervals

- Ceremonial Start (Umeå Podium): - 1 minute interval for all drivers
- For Friday, Saturday, and Sunday: - 3 minutes for P1 drivers
- 1 minute for all other drivers

The Clerk of the Course may, for safety reasons and with the knowledge of the Stewards, reposition drivers or change the time interval between them.

12.3 Ceremonial Start procedure

Ceremonial Start attendance is compulsory for all competing crews and their cars and will take place in Umeå city centre, on **Thursday 24th February at 20.00 hrs.**

The crews must park their cars in parking zone located near by the ceremonial start podium during following times:

- P1 between **18.00** and **19.30** hrs.
- Other crews 30 minutes before each car's individual starting time

The cars may be brought by a competitor's representative. This parking zone will be closed and guarded.

The start interval at the Ceremonial start will be 1 minute for all drivers.

Competitors must wear their approved overalls.

Late arrival at the start ramp up to 15 minutes after a competitor's due time will be penalised at **120 €**. Arrival after 15 minutes will be reported to the Stewards.

No Time Cards will be issued. After the Ceremonial Start, rally cars are free until presented at TC O.

Further details about the Ceremonial start will be given in Rally Guide 2.

Any other promotional activities during the rally will be published in a bulletin.

12.4 Permitted early check in

Crews are authorised to check in early without incurring a penalty at, TC 7C (end of Section 2), TC 15C (end of section 4), and TC 19A (end of section 6).

12.5 Organisers promotional activities

PR activity will take place for selected drivers, **Wednesday 23 February between 18:00-19:00**, near Skeppsbron. Information will be published in a bulletin.

12.6 Retired cars restarting the rally, Art. 54 regulations

With reference to Art. 54 in the FIA WRC Sporting Regulations any crews which fails to complete a section will be assumed to re-start the rally from the start of the next section following the overnight regroup. If not, they must confirm with the clerk of the course by completion of the form located in the road book and lodging it with the organiser as soon as possible before the publication of the re-start list.

Any crew re-starting the rally must present their cars at the overnight parc fermé at the latest four hours before the start of the next section following the overnight regroup.

For cars driven by Priority drivers, a special time card will be used for the maximum of 3 hours service.

12.7 Power Stage

With reference to Art. 50 in the FIA WRC Sporting Regulations special stage 19, Sarsjöleden 2 will be run as the “Wolf Power Stage”.

12.8 Flexi Service

12.8.1 SERVICES A AND D, 30 minutes

Contrary to the prescriptions of FIA WRC, Art. 57.2.2, the midday services on Friday and Saturday will be 30-minute services. For P1 and P4 crews they will be run as flexi services and as normal services for all other crews.

a. P1 and P4 crews

At TC Regroup and Technical Zone IN all P1 and P4 crews are shown their due time at TC Service OUT. After having completed the checks at the Technical Zone, P1 and P4 crews will pass TC Regroup OUT / Service IN without stopping and immediately drive their cars into their service bays where the start and the end of the allowed 30' service time will be controlled by rally officials. After servicing, the car shall (again) be isolated by ropes until it is driven to TC Service OUT by the crew. Any service in excess of the single, uninterrupted, 30' will be reported to the Stewards, who will apply time penalties even if the crew checks in at TC Service OUT on their due time

b. other crews

At TC Regroup and Technical Zone IN all other crews are shown their due time at TC Regroup OUT / Service IN. They shall leave their cars in the Regroup/Flexi Parc Fermé area to be collected for service at their due time. At any time, the car may only be driven by the crew entered. Time entry shown at TC Regroup OUT / Service IN will mark the start of service.

12.8.2 Services B and E, 45 minutes

a. P1 and P4 crews

After the 10-minute Technical Zone, P1 and P4 crews will pass TC Technical Zone OUT / Flexi Service IN without stopping and immediately drive their cars into their service bays where the start of the allowed 45' service time will be controlled by rally officials. TC Flexi service OUT / Parc Ferme Umeå IN is at the overnight parc fermé entrance, where the end time of the service is recorded.

b. other crews

After the 10-minute technical zone inside the parc fermé, the crews may then either enter the service park or leave their car in the parc fermé (WRC Art. 59.3.1) to be collected for service at their due time. The competing car may be driven by the crew or by an authorised representative of the competitor. Check-in time at TC Technical Zone OUT / Flexi Service IN will record the start of the permitted service time. TC Flexi service OUT / Parc Ferme Umeå IN is at the overnight parc fermé entrance where the end time of the service is recorded.

12.9 Change of on-board camera data

The change of on-board camera data is allowed as stipulated in Art. 42.8 of the 2022 FIA WRC Sporting Regulations

12.10 Finish procedure

The finish of the competition element of the rally is at TC 19A, the holding area at the podium. Thereafter crews must follow the instructions of officials during the podium ceremony. From the podium competitors are obliged to drive their competing car and must follow the route described in the road book to the final parc fermé. Between TC 19A and parc fermé competitors will be under parc fermé conditions and will be observed by marshals. Recovery of any competing car which fails to arrive under its own power at the final parc fermé shall be the responsibility of the competitor. The permission of the Clerk of the Course must be obtained before any recovery arrangements are made. Cars selected for the final checks will be driven by the crews or team representatives to the scrutineering in a convoy.

12.11 Control procedure and Time Card Handling**GENERAL**

- a The following procedures apply and have priority over all the related provisions in the FIA WRC Sporting Regulations as far as they are in conflict. Some of the conflicting article numbers are quoted below, but without claiming to be exhaustive.
- b Any irregularity or discrepancies regarding the below procedures will result in the application of the WRC Sporting Regulations, Art. 19.3.4 and 44.2.12. It is to be noted that, as a principle, the entries recorded on the timing marshals' check-sheets shall be decisive.
- c The complete set of Time Cards for the whole rally (including the Shakedown time cards for all drivers affected under WRC Sporting Regulations, Art. 36.2.2) will be delivered with the rally materials at administrative checks. It is imperative for all crews to carry at least all the Time Card sets for a whole day inside the car (cf. for example procedures at regrouping controls).

PASSAGE CONTROLS (WRC Sporting Regulations, Art. 43)

At these controls, the marshal will simply mark the car number on his check sheet as soon as the car stops at the control, without mentioning the time of passage, and show the check sheet to the co-driver.

TIME CONTROLS

- a The check-in procedure begins at the moment as stipulated in Art. 44.2.1 of the WRC Sporting Regulations.
- b The check-in time corresponds to the moment at which the co-driver shows their Time card to the timekeeper through the side window (WRC Sporting Regulations, Art. 44.1 and Art. 44.2.4).
- c The appropriate timekeeper will then enter the actual time at which the card was shown on the timing tablet and write it on the check sheet (WRC Sporting Regulations, Art. 44.2.5).
- d They will then show the recorded check-in time and, in case of a Time Control followed by a special stage, the provisional special stage start time to the co-driver. The co-driver shall then enter this time on their time card (WRC Sporting Regulations, Art. 44.2.5).

SPECIAL STAGE START

- a At the start line, the co-driver shows the timekeeper the time card through the side window. The timekeeper then either confirms this provisional start time or shows a different start time on his check-sheet.
- b This new time, if any, shall then be recorded as actual start time on the time card by the co-driver (WRC Sporting Regulations, Art. 48.2.3). This actual start time will also be shown on the electronic start count-down display.

SPECIAL STAGE STOP POINT

- a The timekeeper at the stop point will show the finish time (time of the day: hour, minute, second, tenth of a second and thousands for the Power Stage) and the calculated stage time to the crew (co-driver).
- b The co-driver shall record this time on their time card.

REGROUPING CONTROLS (2022 WRC Sporting Regulations, Art. 46)

- a There is no need to hand in the Time Card used for the Section concerned. For regroupings during a day, the crews shall themselves record their re-start time from the regroup as instructed by the timing marshal on their new time card for the following Section of that day.
- b In case of an overnight regroup, the crew shall themselves record their re-start time of the following day on their time card, following the publication of the start list for the section after the overnight regroup.
- c Point b. above shall likewise be applied by the drivers concerned for the Shakedown TC/start time.

12.12 Time control procedure - video

A short video describing the time control procedures is available with a selection of different languages:

English: <https://tiny.cc/tceng>

French: <https://tiny.cc/tcfra>

Italian: <https://tiny.cc/tcita>

Spanish: <https://tiny.cc/tcesp>

German: <https://tiny.cc/tcdeu>

Dutch: <https://tiny.cc/tcdut>

Finnish: <https://tiny.cc/tcsuo>

12.13 HEV Zones

In addition to the HEV Zones as indicated in the Road Book, Rally 1 cars must run in electric mode inside the service park, from TC In to TC Out.

12.14 Environmental prescriptions

Teams are obligated to follow the directions and objectives in the organisers environmental policy. Further information will be published in Rally Guide 2.

13 IDENTIFICATION OF OFFICIALS

The post chiefs and other officials will be identified with tabard as follows:

Stage Commander:	Red
Stage Safety Officer:	Orange with white stripe
Safety Marshal:	Orange
Time Control Officer:	Blue
Doctor:	White
Red flag marshal:	Yellow with blue radio point symbol
Media Officer:	Green
Scrutineers:	Black
Competitor Relations Officer:	Red jackets

14 PRIZES**General Classification**

1. Overall winner
2. 2nd overall
3. 3rd overall

Manufacturer

1. Winning manufacturer

WRC2 Rally Championship classification:

1. Winner
2. 2nd
3. 3rd

WRC3 Junior WRC Rally Championship classification:

1. Winner
2. 2nd
3. 3rd

15 FINAL CHECKS AND PROTESTS

15.1 Final checks - attendance and location

The final checks on **Sunday 27th February** will take place at:

Motorcentralen i Umeå
Rothoffsvägen 16
Umeå

Cars subject to final checks (decision by the Stewards and announced to the competitor concerned at the finish TC) must have one representative of the competitor as well as mechanics (in case of dismantling) present at the final check. Rally studded tyres are forbidden at the workshop and the competitor concerned must prepare for tyre change outside the workshop before the final check.

15.2 Protest deposit

The protest deposit is

€ 1.000

If a protest requires the dismantling and reassembly of a clearly defined part of the car (engine, transmission, steering, braking system, electrical installation, bodywork, etc.), an additional deposit may be specified by the Stewards in accordance with Art. 13.4.3 of the Code.

The expenses incurred in the work and in the transport of the car shall be borne by the claimant if the protest is unfounded, or by the competitor against whom the protest is lodged if it is upheld.

If the protest is unfounded, and if the expenses incurred by the protest (scrutineering, transport, etc.) are higher than the amount of the (additional) deposit, the difference shall be borne by the claimant. Conversely, if the expenses are less, the difference shall be returned.

15.3 Appeal deposit

Sum for an international appeal deposit (FIA):

€ 6.000

APPENDIX 1 - ITINERARY

THURSDAY, SHAKEDOWN AND SECTION SD & CS

SD		THURSDAY 24 FEBRUARY			Sunrise 07:05	Vers 1.1
					Sunset 16:42	2021-12-13
TC/SS	Location	SS	Distance Liaison	Total	Target Time	First car due
	Service Park Umeå					
TC SD	Shakedown		11,60	11,60		08:56
SD	Shakedown Klabböle	6,80				09:01
	Service Park Umeå		17,40	24,20		
SD Totals		6,80	29,00	35,80		

CS		THURSDAY 24 FEBRUARY				
TC/SS	Location	SS	Distance Liaison	Total	Target Time	First car due
	Podium Umeå City					20:00
	Service Park Umeå IN		3,00	3,00		
Thursday Totals		0,00	3,00	3,00		

ITINERARY FRIDAY, SECTION 1 - 2

Section 1-2		FRIDAY 25 FEBRUARY			Sunrise 07:01 Sunset 16:45	Vers 1.1 2021-12-13
TC/SS	Location	SS	Distance Liaison	Total	Target Time	First car due
TC 0	Start - Service OUT					07:50
RZ 1	Refuel Service Out (All competitors)		(0,00)			
	Distance to next refuel	(43,00)	(88,85)	(131,85)		
TC 1			36,80	36,80	0:49	08:39
SS 1	Kroksjö 1		15,20			08:42
TC 2			47,30	62,50	1:07	09:49
SS 2	Kamsjön 1		27,80			09:52
RZ 2	Remote refuel Botsmark (All competitors)		(4,75)			
	Distance to next refuel	(17,24)	(83,42)	(100,66)		
TC 3			63,00	90,80	1:34	11:26
SS 3	Sävar 1		17,24			11:29
TC 3A	Regroup and Technical Zone IN		25,17	42,41	1:06	12:35
TC 3B	Regroup OUT / Service IN				0:50	13:25
	FlexiService A (Umeå)	(60,24)	(172,27)	(232,51)	0:30	
TC 3C	Service OUT					13:55
RZ 3	Refuel Service Out (All competitors)		(0,00)			
	Distance to next refuel	(43,00)	(88,85)	(131,85)		
TC 4			36,80	36,80	0:49	14:44
SS 4	Kroksjö 2		15,20			14:47
TC 5			47,30	62,50	1:07	15:54
SS 5	Kamsjön 2		27,80			15:57
RZ 4	Remote refuel Botsmark (All competitors)		(4,75)			
	Distance to next refuel	(22,48)	(83,79)	(106,27)		
TC 6			63,00	90,80	1:34	17:31
SS 6	Sävar 2		17,24			17:34
TC 7			23,16	40,40	0:56	18:30
SS 7	Umeå Sprint		5,24			18:38
TC 7A	Technical Zone IN		2,38	7,62	0:30	19:08
TC 7B	Technical Zone OUT / Flexi Service IN				0:10	(19:18)
	Flexi Service B (Umeå)	(65,48)	(172,64)	(238,12)	0:45	
TC 7C	Flexi Service OUT/Parc Fermé Umeå IN					(20:03)
	All cars must be returned to Parc Fermé no later than					22:30
	Friday Totals	125,72	344,91	470,63		

Section 1

Section 2

ITINERARY SATURDAY, SECTION 3 - 4

Section 3-4		SATURDAY 26 FEBRUARY			Sunrise 06:58	Vers 1.1
					Sunset 16:48	2021-12-13
TC/SS	Location	SS	Distance Liaison	Total	Target Time	First car due
TC 7D	Parc Fermé Umeå OUT/Service IN					07:10
	Service C (Umeå)	(0,00)	(0,00)	(0,00)	0:15	
TC 7E	Service OUT					07:25
RZ 5	Refuel Service Out (All competitors)		(0,00)			
	Distance to next refuel	(31,01)	(100,87)	(131,88)		
TC 8			19,48	19,48	0:34	07:59
SS 8	Brattby 1	10,49				08:02
TC 9			71,73	82,22	1:24	09:26
SS 9	TBA	20,52				09:29
RZ 6	Remote refuel Bjurholm (All competitors)		(9,66)			
	Distance to next refuel	(29,88)	(91,01)	(120,89)		
TC 10			53,82	74,34	1:22	10:51
SS 10	TBA	19,44				10:54
TC 11			44,47	63,91	1:07	12:01
SS 11	Umeå 1 (Live TV)	10,44				12:08
TC 11A	Regroup and Technical Zone IN		2,38	12,82	0:32	12:40
TC 11B	Regroup OUT / Service IN				0:45	13:25
	FlexiService D (Umeå)	(60,89)	(191,88)	(252,72)	0:30	
TC 11C	Service OUT					13:55
RZ 7	Refuel Service Out (All competitors)		(0,00)			
	Distance to next refuel	(31,01)	(100,87)	(131,88)		
TC 12			19,48	19,48	0:34	14:29
SS 12	Brattby 2	10,49				14:32
TC 13			71,73	82,22	1:24	15:56
SS 13	TBA	20,52				15:59
RZ 8	Remote refuel Bjurholm (All competitors)		(9,66)			
	Distance to next refuel	(29,88)	(91,01)	(120,89)		
TC 14			53,82	74,34	1:22	17:21
SS 14	TBA	19,44				17:24
TC 15			44,47	63,91	1:07	18:31
SS 15	Umeå 2 (Live TV)	10,44				18:38
TC 15A	Technical Zone IN		2,38	12,82	0:31	19:09
TC 15B	Technical Zone OUT / Flexi Service IN				0:10	(19:19)
	Flexi Service E (Umeå)	(60,89)	(191,88)	(252,72)	0:45	
TC 15C	Flexi Service OUT/Parc Fermé Umeå IN					(20:04)
	All cars must be returned to Parc Fermé no later than					22:30
	Saturday Totals	121,78	383,76	505,54		

Section 3

Section 4

ITINERARY SUNDAY, SECTION 6 - 8

Section 5-6		SUNDAY 27 FEBRUARY			Sunrise 06:54	Vers 1.1
					Sunset 16:51	2021-12-13
TC/SS	Location	SS	Distance Liaison	Total	Target Time	First car due
TC 15D	Parc Fermé Umeå OUT/Service IN					05:30
	Service F (Umeå)	(0,00)	(0,00)	(0,00)	0:15	
TC 15E	Service OUT					05:45
RZ 9	Refuel Service Out (All competitors)		(0,00)			
	Distance to next refuel	(14,19)	(79,46)	(93,65)		
TC 16			63,76	63,76	1:12	06:57
SS 16	Vindeln 1	14,19				07:00
RZ 10	Remote refuel Ottonträsk (All competitors)		(15,70)			
	Distance to next refuel	(28,12)	(105,82)	(133,94)		
TC 17			38,33	52,52	1:02	08:02
SS 17	Sarsjöleden 1 (Live TV)	13,93				08:08
TC 18			67,49	81,42	1:25	09:33
SS 18	Vindeln 2	14,19				09:36
RZ 11	Remote refuel Ottonträsk (All competitors)		(15,70)			
	Distance to next refuel	(13,93)	(111,35)	(125,28)		
TC 18A	Regroup Vännäs IN		56,17	70,36	1:19	10:55
TC 18B	Regroup Vännäs OUT				0:40	11:35
TC 19			28,88	28,88	0:40	12:15
SS 19	Sarsjöleden 2 (Power Stage)	13,93				12:18
TC 19A	Technical Zone and Holding Area - Rally Finish		42,00	55,93	1:10	13:28
	Podium Cermony Umeå					(14:00)
	Road to Parc Fermé					
		(56,24)	(296,63)	(352,87)		
	Sunday Totals	56,24	296,63	352,87		

Section 5

Section 6

TOTALS OF THE RALLY				
	SS	Liaison	Total	%
Friday 25 february - 7 SS	125,72	344,91	470,63	26,7%
Section 1-2				
Saturday 26 february - 8 SS	121,78	383,76	505,54	24,1%
Section 3-4				
Sunday 27 february - 4 SS	56,24	296,63	352,87	15,9%
Section 5-6				
Total - 19 SS	303,74	1025,30	1329,04	22,9%

APPENDIX 2 - RECONNAISSANCE SCHEDULE

P1 and P2 drivers:

Tuesday 22 February Stage	Allowed Time	SS km	Tot SS km x 2	Finish to Start	To Next Stage	Totals
SS 8/12 Brattby	07:00-08:30	10,49	20,98	4,92	31,60	57,50
SS 17/19 Sarsjöleden	07:45-09:30	13,93	27,86	9,30	58,40	95,56
SS 9/13 TBA	09:00-12:30	20,52	41,04	36,20	53,82	131,06
SS 10/14 TBA	11:00-15:00	19,44	38,88	31,00	29,20	99,08
Shakedown Klabböle	12:30-16:00	6,80	13,60	15,00		28,60
Totals		71,18				411,80

Wednesday 23 February Stage	Allowed Time	SS km	Tot SS km x 2	Finish to Start	To Next Stage	Totals
SS 1/4 Kroksjö	07:00-08:15	15,20	30,40	7,00	42,00	79,40
SS 16/18 Vindeln	08:00-10:00	14,19	28,38	13,50	40,00	81,88
SS 2/5 Kamsjön	09:15-12:15	27,80	55,60	11,20	63,00	129,80
SS 3/6 Sävar	11:00-14:30	17,24	34,48	22,00	24,70	81,18
SS 11/15 Umeå	12:15-16:00	10,44	20,88	4,00	5,10	29,98
SS 7 Umeå Sprint	12:15-16:00	5,24	10,48	5,10		15,58
Totals		90,11				417,82

P3, P4 and Non-Priority Drivers

Tuesday 22 February Stage	Allowed Time	SS km	Tot SS km x 2	Finish to Start	To Next Stage	Totals
SS 10/14 TBA	07:00-09:00	19,44	38,88	31,00	29,20	99,08
Shakedown Klabböle	08:30-10:00	6,80	13,60	15,00	17,50	46,10
SS 8/12 Brattby	09:15-11:15	10,49	20,98	4,92	31,60	57,50
SS 17/19 Sarsjöleden	10:00-12:30	13,93	27,86	9,30	58,40	95,56
SS 9/13 TBA	11:30-15:30	20,52	41,04	36,20		77,24
Totals		71,18				375,48

Wednesday 23 February Stage	Allowed Time	SS km	Tot SS km x 2	Finish to Start	To Next Stage	Totals
SS 3/6 Sävar	07:00-08:45	17,24	34,48	22,00	24,70	81,18
SS 11/15 Umeå	08:15-10:00	10,44	20,88	4,00	5,10	29,98
SS 7 Umeå Sprint	08:15-10:00	5,24	10,48	5,10	32,80	48,38
SS 1/4 Kroksjö	09:30-11:30	15,20	30,40	7,00	42,00	79,40
SS 16/18 Vindeln	10:30-13:15	14,19	28,38	13,50	40,00	81,88
SS 2/5 Kamsjön	12:00-15:30	27,80	55,60	11,20		66,80
Totals		90,11				387,62

APPENDIX 3 - COMPETITORS RELATIONS OFFICERS

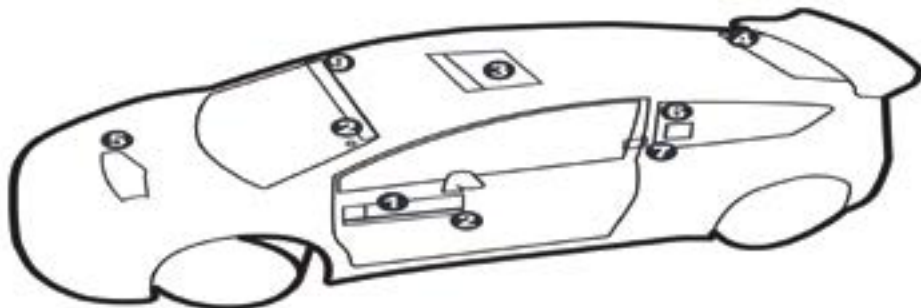


Janne Rydh
Sweden
(languages: Swedish, English)



Jacky Jung
France
(languages: French, English, German)

APPENDIX 4 - COMPETITION NUMBERS AND ADVERTISING



1. 2 x Doorplates with competition number

67 cm wide and 17 cm high. The top of the plate shall be placed between 7 cm and 10 cm below the bottom window line. No other signage shall be placed within 10 cm of the plate. Advertising: Will be announced in a bulletin.

2. Each car eligible to score points in the Manufacturers, WRC2, WRC3 or Junior WRC Championships, must affix a specific panel provided by the promotor

3. 1 x Roof panel with competition number

50 cm wide and 52 cm high. Placed on the roof with the top towards the front of the car. Advertising: Will be announced in a bulletin.

4. 1 x Rear window competition number

14 cm high. Placed at the rear window.

Advertising: Will be announced in a bulletin

5. Rally plate with starting number

43 cm wide and 21,5 cm high

6. Rear side windows

2 x competition numbers 20 cm high - shall be placed at the top of the rear side windows.

The name of the driver with his/her passport nationality national flag must appear in the rear side window of both sides of the car (under the starting numbers).

For further details see 2022 FIA WRC Sporting Regulations.

Stickers affixed by the scrutineers at scrutineering:

7. Check card

(6 cm x 6 cm) will be affixed on the car, at roll-cage driver side.

9. 3 minutes sticker

Affixed on the cars (on the roof over the wind screen, codriver side) with a start interval of 3 minutes.

APPENDIX 5 - DRIVERS' SAFETY EQUIPMENT - FIA ISC, Appendix L

All competitors are reminded of Appendix L of the FIA International Sporting Code, in particular its Chapter III - Drivers' Equipment. These regulations apply to Shakedown as well. It is permitted that drivers and co-drivers may wear shoes which do not comply with the FIA 8856-2000 standard. Drivers wearing shoes not complying with the standard may wear shoes adapted to the conditions.

Helmets (Appendix L, Chapter III, Art. 1)

Priority 1 drivers and their co-drivers must wear helmets according to the FIA standard 8860-2018 or 8860-2018-ABP. This also applies to all Priority 2 crews competing with a World Rally Car. All other crews must wear crash helmets homologated to one of the following FIA standards:

- 8858-2002 or 8858-2010 (Technical List N°41),
- 8859 (Technical List N°49),
- 8860-2010 (Technical List N°33) or
- 8860-2018 or 8860-2018-ABP (Technical List N°69)

Drivers and co-drivers who wear full-face helmets must contact the FIA Medical Delegate or the Chief Medical Officer in order to carry out a test before the start of the event. This test is described in Appendix L, Chapter III, Art. 1.3.

Frontal Head Restraint (Appendix L, Chapter III, Art. 3)

All crews must use FIA approved FHR systems homologated to FIA standard 8858. Approved FHRs, anchorages and tethers are listed in Technical List N° 29. See also helmet compatibility chart in Appendix L, Chapter III, Art. 3.3.

Flame-resistant clothing (Appendix L, Chapter III, Art. 2)

All drivers and co-drivers must wear overalls as well as gloves (optional for co-drivers), long underwear, a balaclava, socks and shoes homologated to the FIA 8856-2000 standard (Technical List N°27) or 8856-2018 (Technical List N° 74). For all Priority 1, 2, 3 and 4 drivers and their co- drivers, the wearing of equipment homologated to the FIA 8856-2018 standard is obligatory. Please pay special attention to the prescriptions of Art. 2 concerning embroidery and printing on flame-resistant clothing (manufacturer certificates etc.) as well as concerning the correct wearing of the clothing elements! See also the FIA WRC Sporting Regulations, Art. 53.1.

Biometric Devices (Appendix L, Chapter III, Art. 2.1)

Drivers may wear a device to collect biometric data during racing.

- If the biometric device is integrated into a protective garment homologated to FIA Standard 8856, the garment shall be homologated to FIA Standards 8856 and 8868-2018.
- If the biometric device is a standalone device, then the device must be homologated to FIA Standard 8868-2018 only. This device must be worn in addition to the garment homologated to FIA Standard 8856.

Wearing of jewellery (Appendix L, Chapter III, Art. 5)

The wearing of jewellery in the form of body piercing or metal neck chains is prohibited during the competition and may therefore be checked before the start.



CLOSER TO RALLY.

APPENDIX 6 - FIA WRC TRACKING SYSTEM - INSTALLATION AND OPERATING INSTRUCTIONS

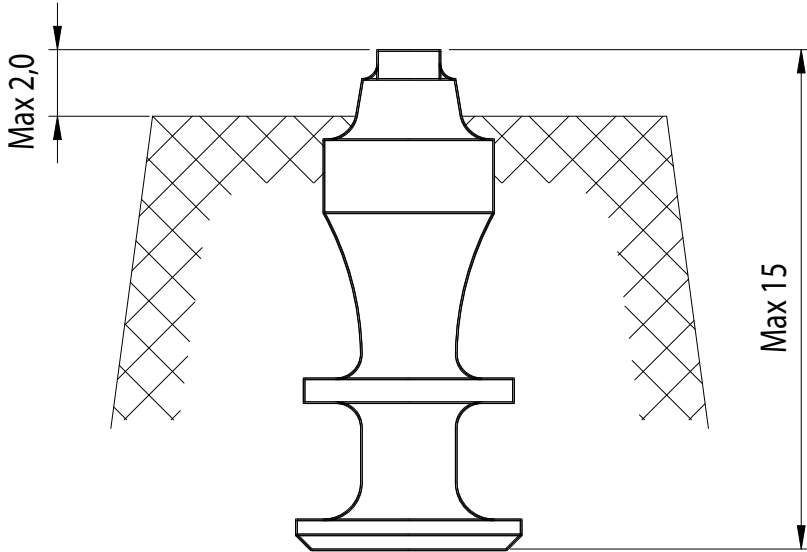
Installation and Operation instructions for the FIA Safety Tracking Device are available in the rally website, <https://rallysweden.com/en/competitors/documents/>

These instructions must be considered as integral part of these Supplementary Regulations.

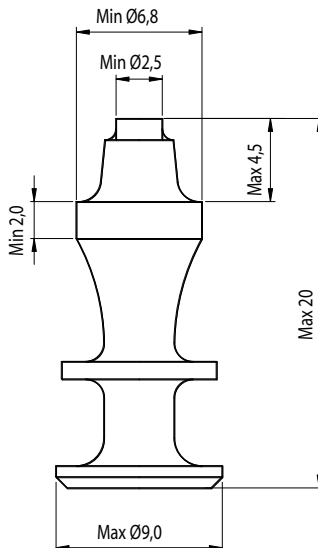
FIA Safety Tracking Device - TUTORIAL VIDEO:
<https://www.youtube.com/watch?v=GjyDe3B7dvo>

APPENDIX 7 - STUDDED TYRES

RECONNAISSANCE



RALLY





CLOSER TO RALLY.

APPENDIX 8 - ONLINE FUEL ORDER PROCEDURE

The online WRC fuel order procedure are available in the rally website,
<https://rallysweden.com/en/competitors/documents/>



CLOSER TO RALLY.

NOTES

WARNING MOTORSPORT CAN BE
DANGEROUS

