

VA-1400 Series Mechanically Variable Attenuators

Bringing the Test Range to Your Test Bench

Product Summary

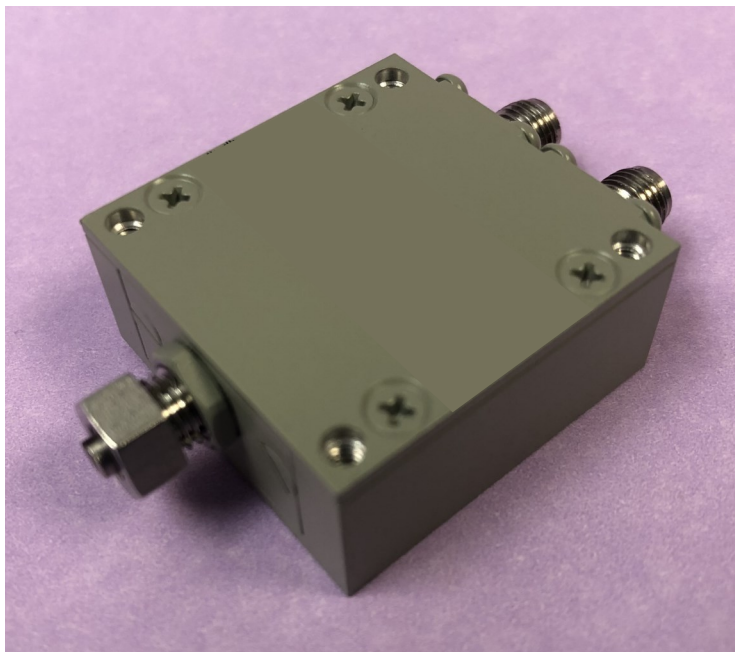
Introduction

The Eastern OptX Series 1400 Attenuators are continuously variable (not step attenuators) with operation from DC to 1.5 GHz (Usable to 4 GHz) depending on the model. 0-15 dB (usable to 25 dB)

This Series is ideal for new product designs and also for replacement of obsolete models from other suppliers designed into legacy products.

Three styles are available with various mounting configurations, including panel mount.

Custom variations are available including package style, frequency range, connectors, and attenuation.



Standard

Features

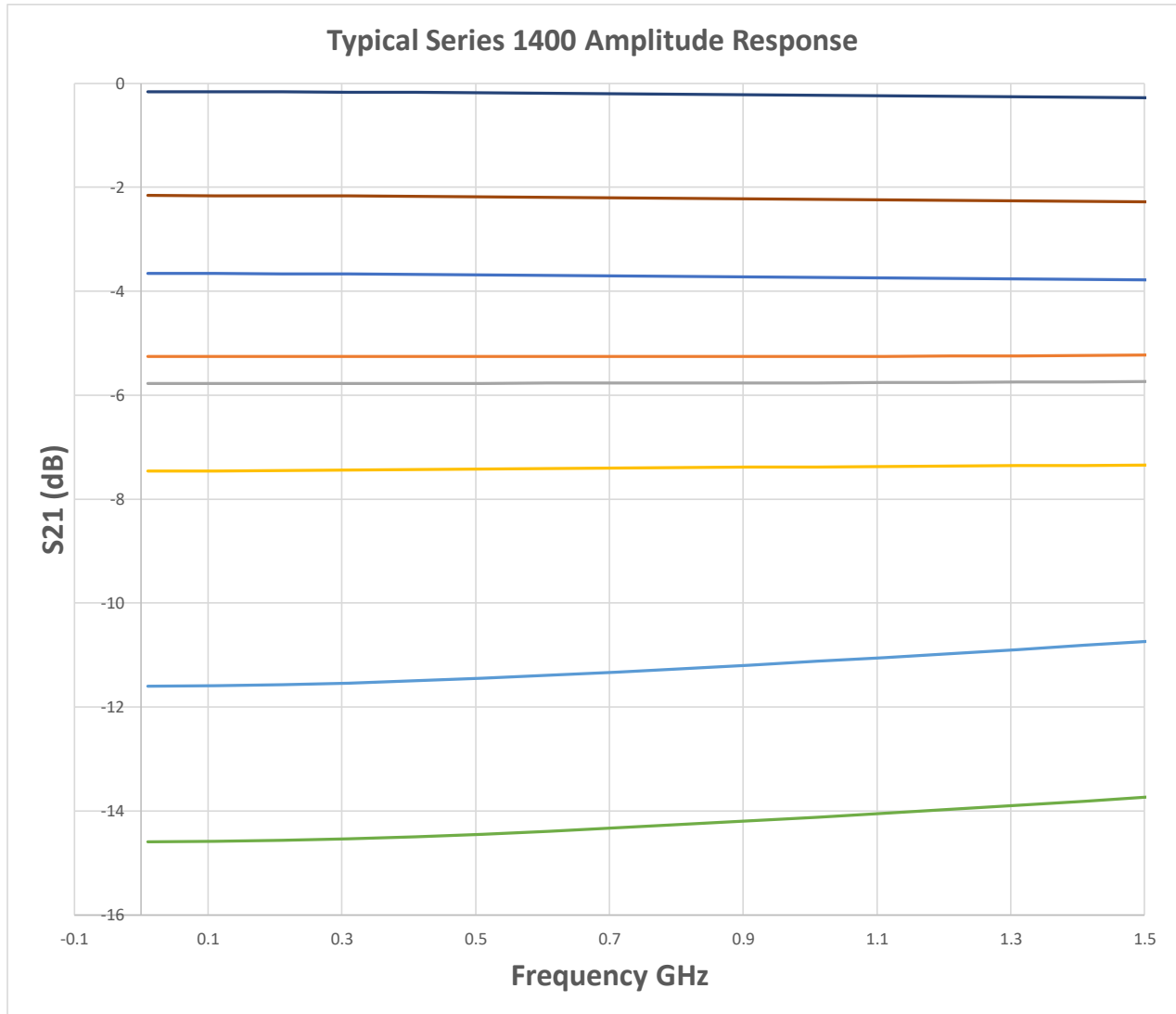
- Continuously variable.
- Mechanically variable with locking screw.
- 7-turn typical, full range resolution
- DC to 1.5 GHz
- Up to 2 Watts
- High resolution
- High reset-ability
- Phase stable
- Low VSWR
- Highly linear attenuation-to-mechanical rotation
- Environmentally rugged (Shock , vibration , temperature and humidity)
- Suitable for harsh environments
- Flat frequency response
- SMA Jack RF I/O
- Symmetrical I/O
- Industry Standard Configurations

Eastern OptX, Inc.

1

401 Bordentown Hedding Rd, Bordentown NJ 08505 · 877 870 6789 (toll free) · 856-231-9022 (fax)

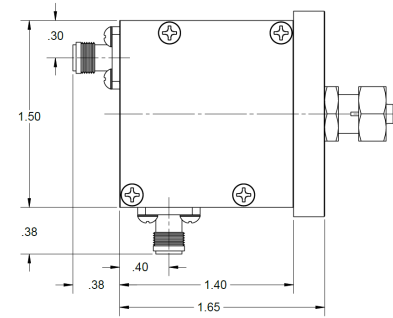
www.eastern-optx.com · sales@eastern-optx.com · CAGE Code 56N13



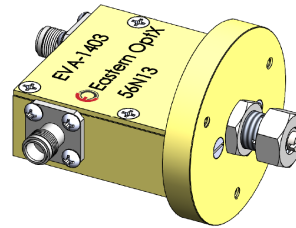
Parameter	Specification	Notes
Input Power	2W	Max , Average
Resolution	0.1 dB	
Reset-ability	0.2 dB	
Flatness	See plot	
VSWR	2 : 1	Maximum
Frequency Range:	DC to 1.5 GHz	
Temperature Range:	0 to 70 ° C	
Mechanical resolution:	1.5 dB per turn	Approximately Linear
Input/Output Impedance	50 Ω	Nominal

Typical System Performance:**Environmental Specifications:****Shock: MIL-STD-202 Method 213****Vibration: MIL-STD-202 Method 201****Humidity: 95% with condensation, MIL-STD-202 Method 106****Temperature: 0 to 70 ° C**

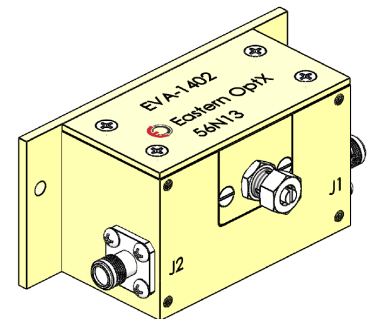
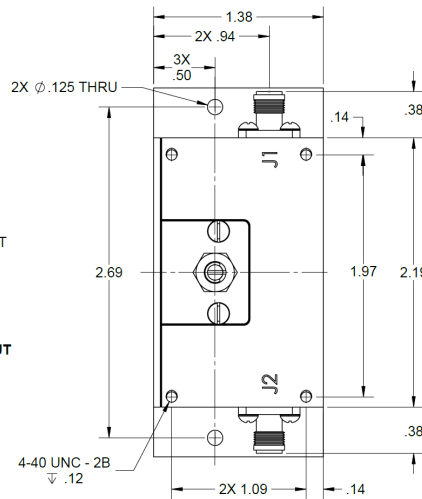
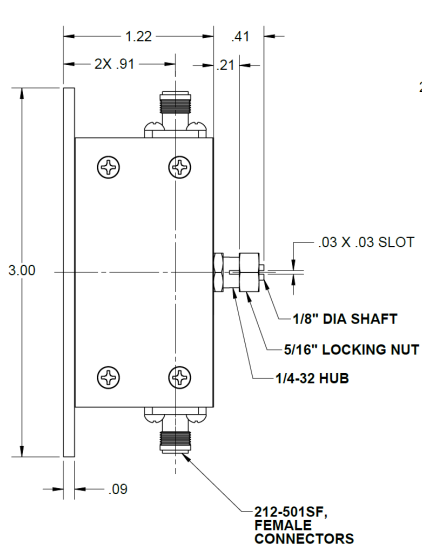
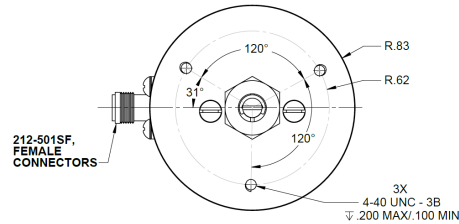
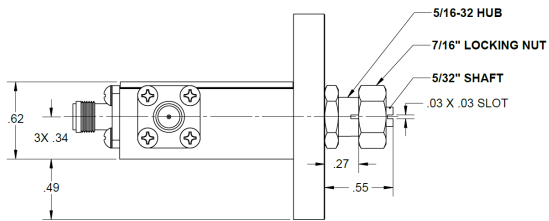
Mechanicals:



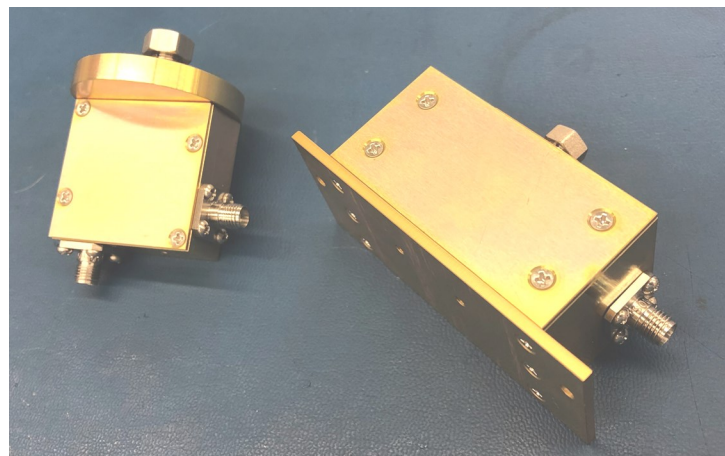
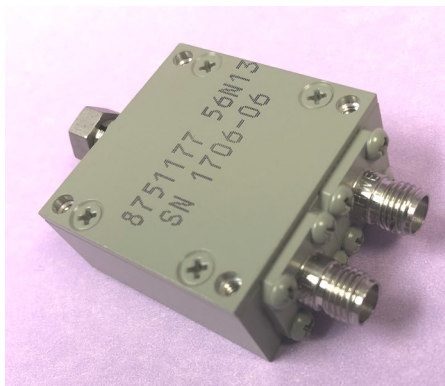
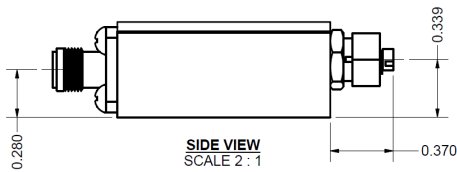
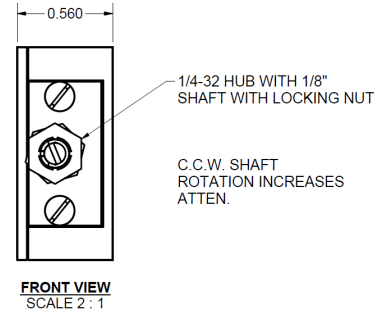
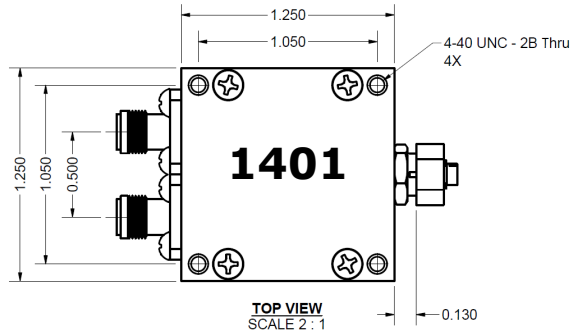
REVISIONS			
REV.	DESCRIPTION	DATE	APP.
A	INITIAL RELEASE PER EDR-3786-L1741	4/15/2021	DEZ



C.C.W SHAFT ROTATION INCREASES ATTENUATION



C.C.W SHAFT ROTATION INCREASES ATTENUATION

Mechanicals:


Potential Cross Reference:

Configuration	EO Part	Navsea	ATM	ATM	ARRA	ARRA	MCLI	MCLI	Weinschel
End Connectors	1401	8751177	AFL033-15	AF023-15	NA	NA	NA	NA	NA
Side Connectors	1402	NA	AFL022-15	AFL042-15	3344	0682-10	CVAL1-15	CVA30-15	NA
Panel Mount	1403	NA	AF042-15	NA	NA	0682-10G	NA	NA	WA9426

