



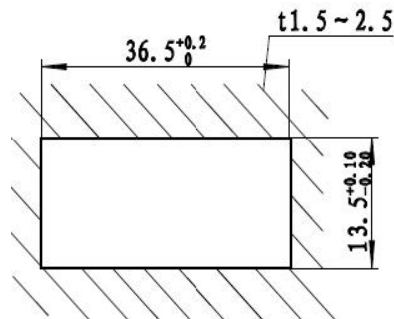
RS PRO DATA SHEET - Push Pull Door Switch, DP, 6.3mm tabs

RS Stock Code: 1858231

Specifications

1858231

Electrical Rating	EN61058 10(6)A 250V - 5E4
	UL1054 16A/125V / 12A/250V 1HP 250V/125V T85
	UL61058 10(4)A 277V - 5E4
Switching Action	DPDT on-on-(on) – position 1 pull latching, position 2 rest, position 3 push momentary
Max Operating Force	Pull: 8.5N Push: 7N



Tolerance Not Marked	Basic Dimension	0.5 - 3	>3 - 6	>6 - 30	>30 ~ 120	>120 - 400
		Tolerance	±0.1	±0.1	±0.2	±0.3
Round Angle Chamfer Angle	Tolerance	0.5 - 3	>3 - 6	>6 - 30	>30 ~ 120	>120 - 400
		±0.2	±0.5	±1	±1	±1
Angle (°)	Short Side	<10	>10 - 50	>50 ~ 120	>120 - 400	
		Tolerance	±1°	±30'	±20'	±10'

