

## One-touch fittings—tube-tube type

### Ordering code

#### Same diameter type fittings

PE 6 □  
① ② ③

① Model				② Port size	③ Standard color		
PM: Bulkhead union 	PE: Union tee 	PP: Plug 	PV: Union elbow 	4: Φ4mm 6: Φ6mm 8: Φ8mm 10: Φ10mm 12: Φ12mm	Standard color:	Specification	Adaptable model
PLM: Bulkhead male elbow 	PY: Union "Y" 	PZ: Cross 	PU: Straight union 		Blank: Gray	Release button: Gray Body: Gray	PM Others
					D: Black	Release button: Black Body: Black	PM Others

#### Different diameter type fittings

PEG 6 - 4 □  
① ② ③ ④

① Model					② Port size I	③ Port size II	④ Standard color	
PG: Different diameter straight 	PZG: Different diameter cross 	PEW: Different diameter tee 	PYW: Different diameter union "Y" 	PGJ: Plug-in reducer 	4: Φ4mm 6: Φ6mm 8: Φ8mm 10: Φ10mm 12: Φ124mm	4: Φ4mm 6: Φ6mm 8: Φ8mm 10: Φ10mm	Standard color:	Specification
PEG: Different diameter tee 	PKG: Reducer triple branch union 	PHK: Universal reducer triple branch union 	PHD: Universal reducer four branch union 				Blank: Gray	Release button: Gray Body: Gray
							D: Black	Release button: Black Body: Black

### Specification

Operating pressure range	0~10kgf/cm <sup>2</sup> (0~1.0MPa)
Negative pressure	-750mmHg(10Torr)
Proof pressure	1.5MPa
Ambient and fluid temperature (°C)	-20~70
Applicable tubing	Soft nylon or polyurethane
Color	Grey/black

### Product feature

1. Variable models can be widely used in every kind of pneumatic systems.
2. High circulation performance: bear the same flow with the volume of the tubing inside diameter.
3. Connect tubing easily and conveniently. The tubing connection portion is safe and durable.
4. The threaded portion is covered with sealant and the M5 thread is attached with a sealing gasket to prevent air leakage over the connection thread portion.

### Inner structure

PM Series		No.	Item	Material
		1	Release button	POM
		2	Guide	Aluminum alloy
		3	Spring gasket	Stainless steel
		4	Chuck	POM
		5	O-ring	NBR
		6	Body	Aluminum alloy
		7	Rubber washer	NBR
		8	Nut	Aluminum alloy

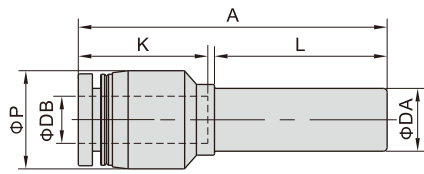
### Table for interface port and tube O.D.

Product series	Port size I	Port size II				
		Φ4	Φ6	Φ8	Φ10	
PG PGJ	Φ4					
	Φ6	●				
	Φ8	●	●			
	Φ10		●	●		
	Φ12			●	●	
PEG PEW PYW	Φ4					
	Φ6	●				
	Φ8		●			
	Φ10			●		
PZG	Φ4					
	Φ6	●				
	Φ8		●			
	Φ10			●		
PKG	Φ4					
	Φ6	●				
	Φ8		●			
	Φ10			●		
PHK PHD	Φ4					
	Φ6					
	Φ8		●			
	Φ10			●		
Product series		Φ4	Φ6	Φ8	Φ10	Φ12
	PE, PY, PV, PU PM, PLM, PP, PZ	●	●	●	●	●

# Accessories—One-Touch Fittings

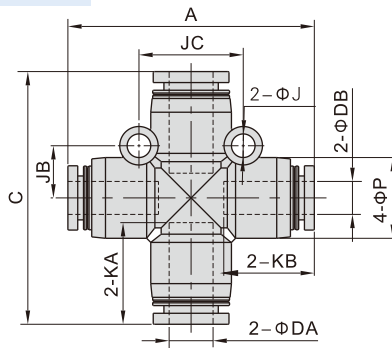
## One-touch fittings—tube-tube type

### PGJ Series



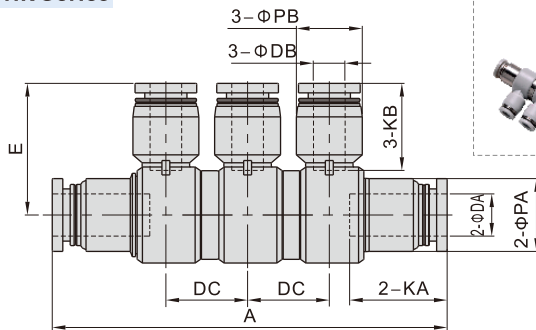
Model\Item	ΦDA	ΦDB	ΦP	K	L	A	Weight(g)
PGJ6-4	6	4	9	14	21	35	1.5
PGJ8-4	8	4	12.5	14	22	39	2.6
PGJ8-6	8	6	12.5	16.5	22	39.5	3.2
PGJ10-6	10	6	15	16.5	25	44	4.1
PGJ10-8	10	8	15	18.5	25	44.5	3.9
PGJ12-8	12	8	18	18.5	26	48.5	6.2
PGJ12-10	12	10	18	21	26	49	6

### PZG Series



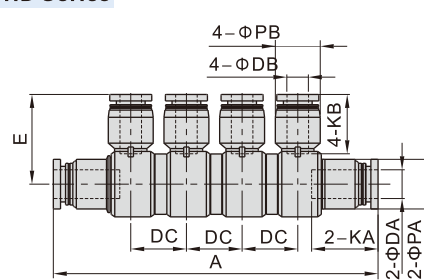
Model\Item	ΦDA	ΦDB	A	C	ΦP	KA	KB	ΦJ	JB	JC	Weight(g)
PZG6-4	6	4	39	39.5	12.5	16.5	14	3.2	8	16	8.2
PZG8-6	8	6	45	46	15	18.5	16.5	4.3	9.5	19	12
PZG10-8	10	8	52	52.5	18	21	18.5	4.3	11	22	18.1
PZG12-10	12	10	59	59.5	21	23	21	4.3	13	26	29

### PHK Series



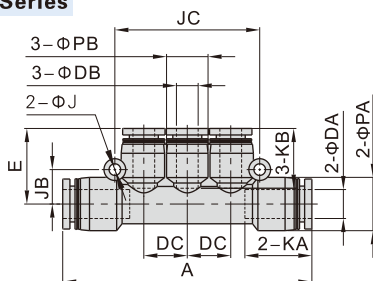
Model\Item	ΦDA	ΦDB	A	ΦPA	ΦPB	KA	KB	DC	E	Weight(g)
PHK8-6	8	6	75	14	12.5	18.5	16.5	15.5	25	28.4
PHK10-8	10	8	85.5	17	15	21	18.5	16.5	29.5	45

### PHD Series



Model\Item	ΦDA	ΦDB	A	ΦPA	ΦPB	KA	KB	DC	E	Weight(g)
PHD8-6	8	6	90.5	14	12.5	18.5	16.5	15.5	25	18.7
PHD10-8	10	8	102.5	17	15	21	18.5	16.5	29.5	52.7

### PKG Series



Model\Item	ΦDA	ΦDB	A	ΦPA	ΦPB	KA	KB	ΦJ	JB	JC	DC	E	Weight(g)
PKG6-4	6	4	58	12.5	9	16.5	14	3.2	8	34	10	17.5	8.6
PKG8-6	8	6	69	15	12.5	18.5	16.5	3.2	9.5	40	12	21	13.5
PKG10-8	10	8	80	18	15	21	18.5	4.3	11	48	14.5	24	20.7